

TOP-MOUNTED ROLLER SHUTTERS



12 EXTE ELITE XT



14 EXTE EXPERT XT



16 EXTE EXAKT



18 OPOTERM



20 CLEVERBOX SI



22 CLEVERBOX RI

TOP-MOUNTED SOLUTIONS



26 ROKA-TOP 2 RG/ EX



28 ROKA-TOP 2/EX



30 SKB STYROTERM

EXTERNAL FLUSH-MOUNTED ROLLER SHUTTERS



32 SP - E / QUADBOX

EXTERNAL ADAPTIVE ROLLER SHUTTERS



34 SK - 45



36 SK - 90



38 SKO - P



40 SK - P

OTHER SOLUTIONS



44 SDZ



46 SAR



48 BGR



50 SKN



EXTE ELITE XT

TOP-MOUNTED ROLLER SHUTTER

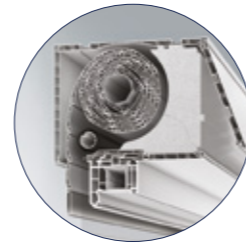
3-IN-1-SYSTEM



The Exte Elite box has three types of revision – from the inside (from the front or from the bottom) and from the outside from the bottom. The advantage of this solution, in addition to steel reinforcement and a static console, is also the possibility to equip the box with façade blinds.



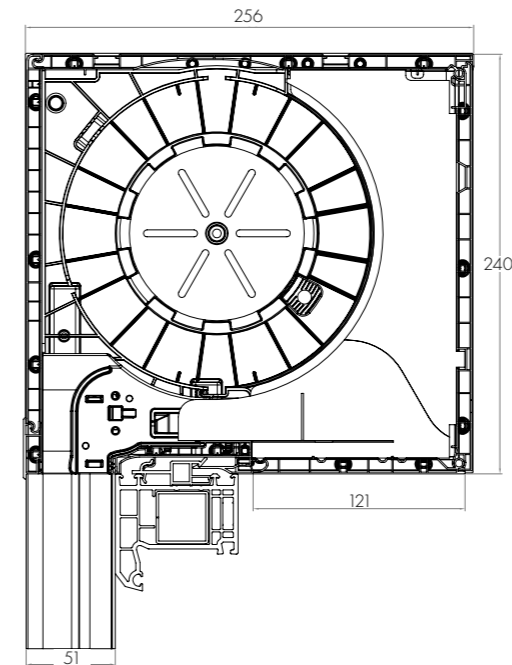
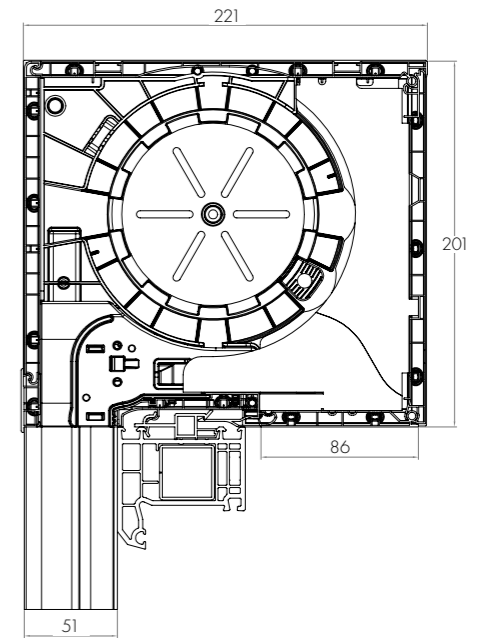
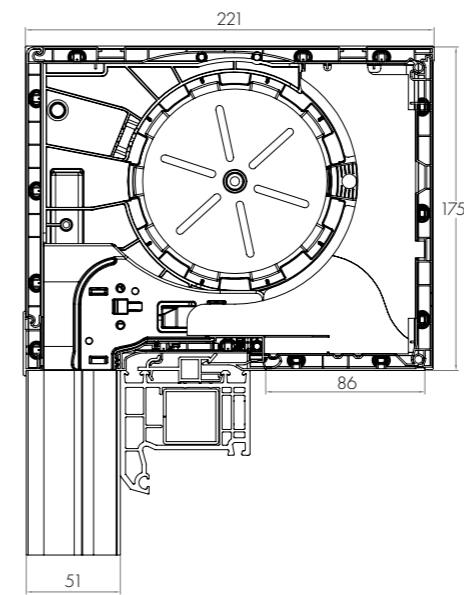
CLICK CLACK



The Click Clack system is more intuitive to use and easier to lock and unlock the bottom strip of the mosquito net.

** the given parameters apply to the version without an acoustic mat and without a soundproofing strip

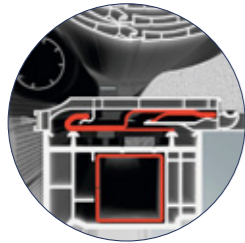
MAXIMUM ROLLER SHUTTER HEIGHT (WINDOW HEIGHT + BOX HEIGHT) IN MM					
BOX	H mm	B mm	ARMOUR TYPE ALU 39		
175	175	220	1620	1370	1370
201	201	220	2250	2200	2000
240	240	255	3500	3500	3250
			Ø 40	Ø 50	Ø 60
ROLLER SHUTTER SYSTEM	FAÇADE BLIND INSERT	STATIC CONSOLES	STEEL REINFORCEMENT		
Exte Elite XT	YES (option)	YES	as an adapter (option)		



EXTE EXPERT XT

TOP-MOUNTED ROLLER SHUTTER

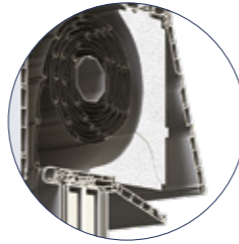
INCREASED STATIC LOADS



The structural load statics can be improved by anchoring the Expert XT box to the lintel. The stability can also be improved by using a steel adapter or static consoles (optional).

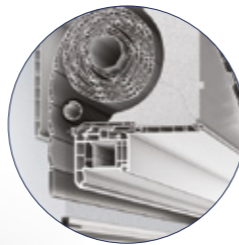


2-IN-1-SYSTEM



The user can choose a revised method – from the front or bottom of the box.

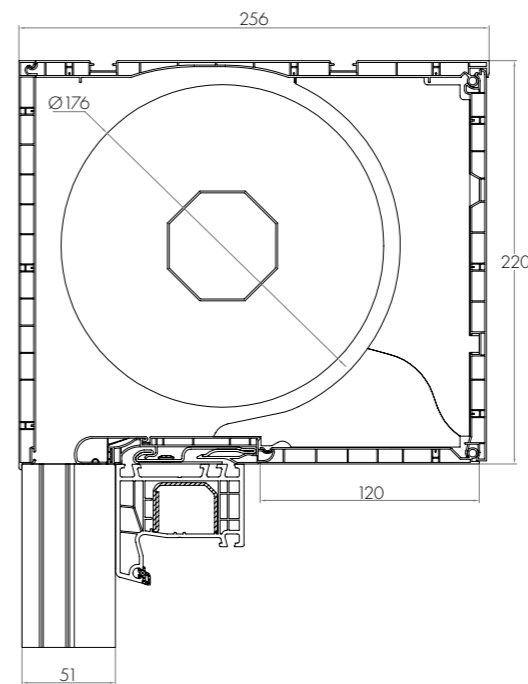
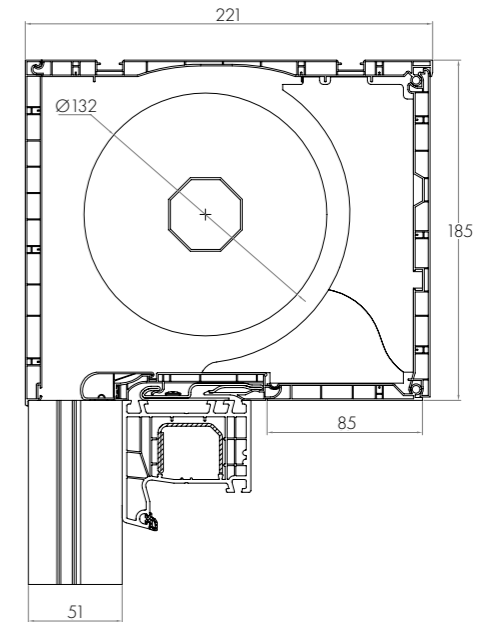
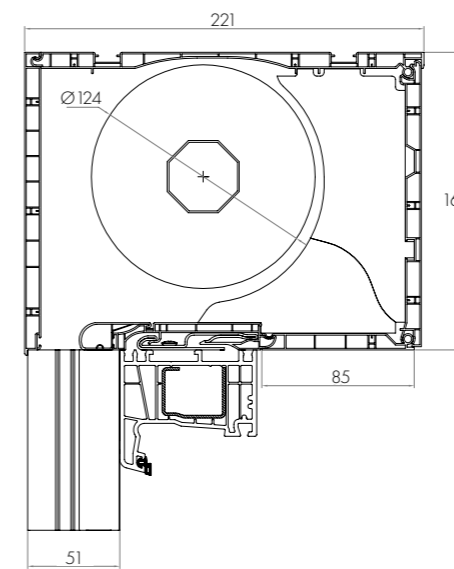
INTEGRATED MOSQUITO NET



Expert XT allows us to use an integrated mosquito net in the click clack system.

** the given parameters apply to the version without an acoustic mat and without a soundproofing strip

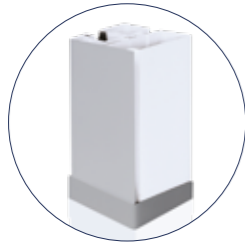
MAXIMUM ROLLER SHUTTER HEIGHT (WINDOW HEIGHT + BOX HEIGHT) IN MM					
BOX	H mm	B mm	ARMOUR TYPE ALU 39		
165	165	220	1620	1370	1370
185	185	220	2250	2200	2000
220	220	255	3500	3500	3250
			Ø 40	Ø 50	Ø 60
ROLLER SHUTTER SYSTEM	FAÇADE BLIND INSERT	STATIC CONSOLES	STEEL REINFORCEMENT		
Exte Expert XT	NO	YES	as an adapter (option)		



EXTE EXAKT

TOP-MOUNTED ROLLER SHUTTER

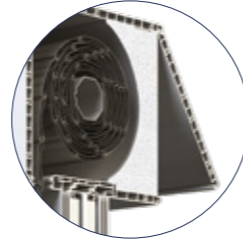
END PLUGS IN SELECTED COLOURS



The wide selection of end plug colours for the lower guides makes it easy to match them to the colour of the window joinery. No option for an integrated mosquito net.

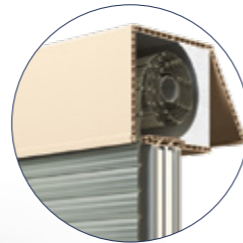


REVISED FROM THE FRONT



A box with a revision only from the front, without the possibility of installation from the inside.

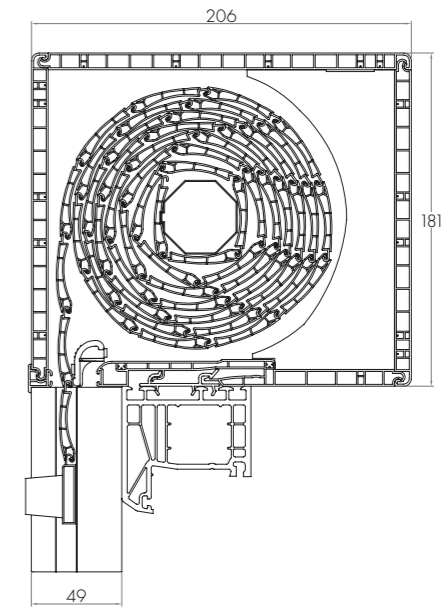
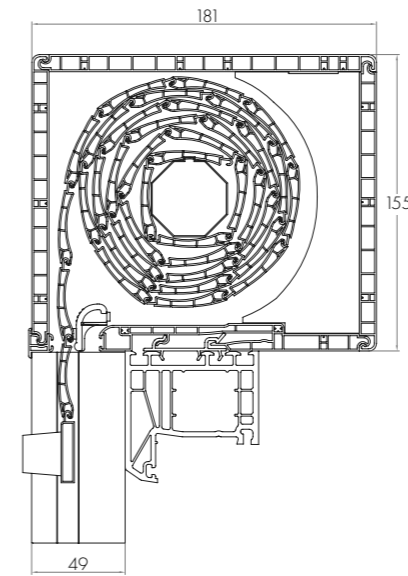
BODY CREAM



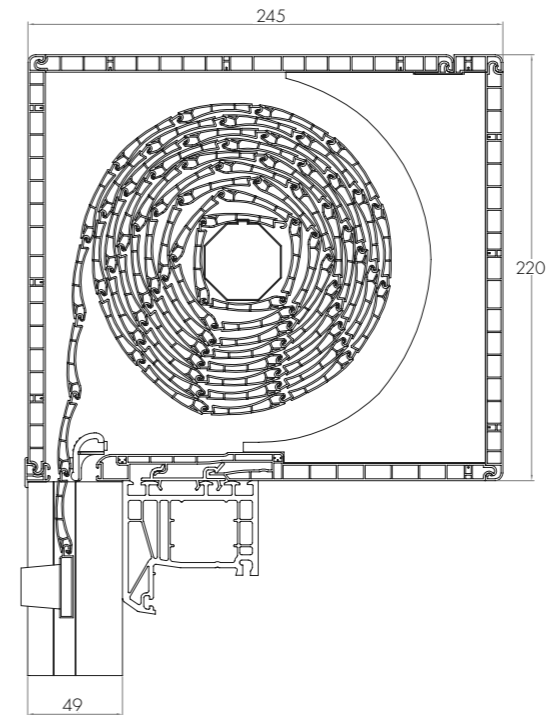
The wide selection of end plug colours for the lower guides makes it easy to match them to the colour of the window joinery.

* boxes 180 and 155

MAXIMUM ROLLER SHUTTER HEIGHT (WINDOW HEIGHT + BOX HEIGHT) IN MM					
BOX	H mm	B mm	ARMOUR TYPE ALU 39		
155	155	181 *	1600	1600	1400
181	181	206 *	2300	2400	2100
220	220	245 *	3500	3500	3300
			Ø 40	Ø 50	Ø 60
ROLLER SHUTTER SYSTEM	FAÇADE BLIND INSERT	STATIC CONSOLES	STEEL REINFORCEMENT		
Exte Exakt	NO	NO	YES (option)		



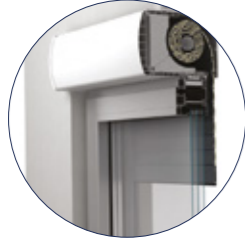
* for an integrated mosquito net
+18 mm should be added to the box depth



OPOTERM

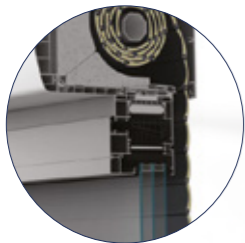
TOP-MOUNTED ROLLER SHUTTER

ROUNDED REVISED FROM THE FRONT



The structural load statics can be improved by anchoring the Expert XT box to the lintel. The stability can also be improved by using a steel adapter or static consoles (optional).

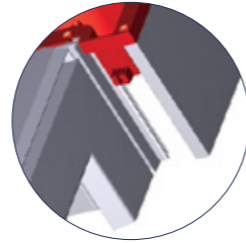
OPOTERM RENO



The unique design of the box is ideally suited for renovation frames.



REINFORCED STRUCTURE



The construction of the Opoterm box allows the placing of steel bars in the outer, inner and bottom plate. As a result, the construction features extremely good stability.

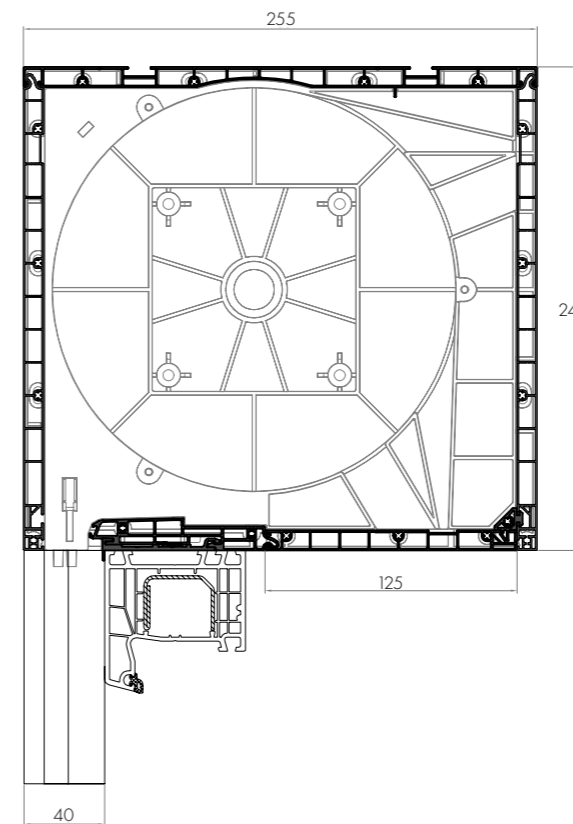
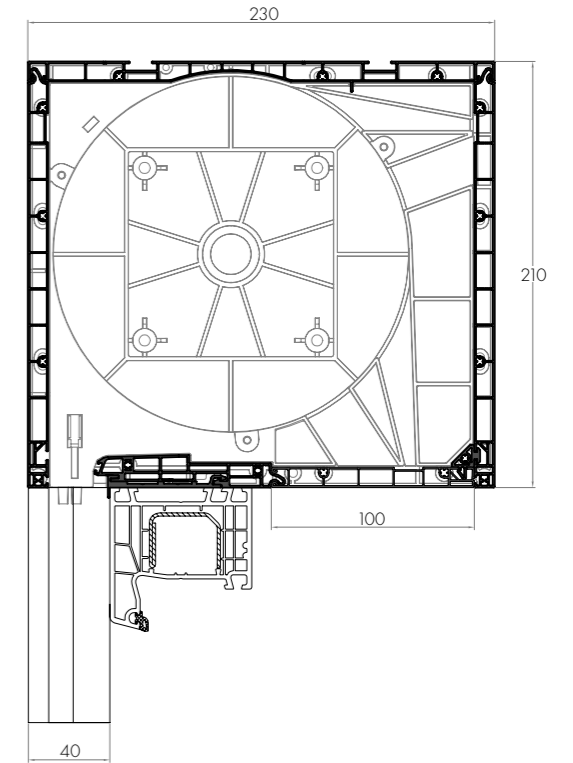
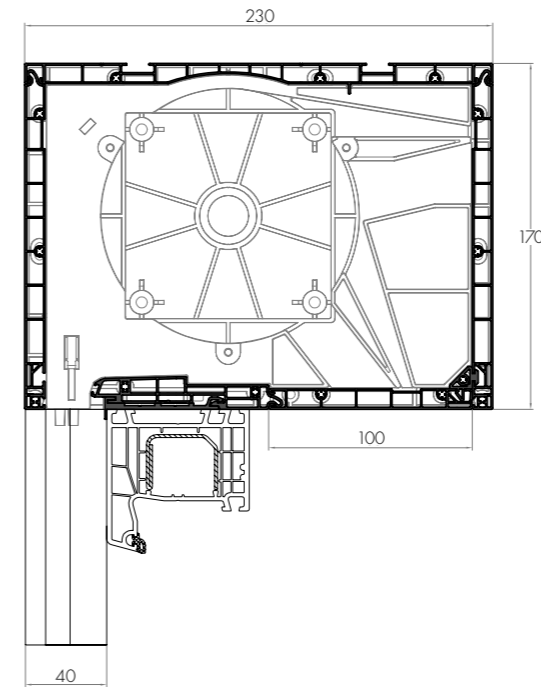
INTEGRATED MOSQUITO NET



The Opoterm system allows the installation of an integrated mosquito net. In contrast to the Exte Expert and Elite XT boxes, the mosquito net is located behind the armour (viewed from the inside).

MAXIMUM ROLLER SHUTTER HEIGHT (WINDOW HEIGHT + BOX HEIGHT) IN MM

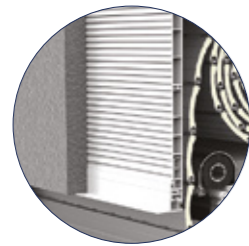
BOX	H mm	B mm	ARMOUR TYPE ALU 39		
			Ø 40	Ø 50	Ø 60
170	170	230	1890	1690	1730
210	210	230	3230	3310	3270
240	240	255	4460	4770	4460
ROLLER SHUTTER SYSTEM	FAÇADE BLIND INSERT	STATIC CONSOLES	STEEL REINFORCEMENT		
Opoterm	NO	YES	internal profiles (option)		



CLEVERBOX SI

TOP-MOUNTED ROLLER SHUTTER

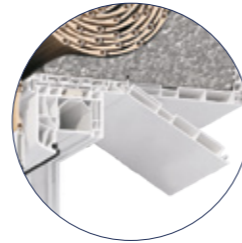
SIMPLICITY OF INSTALLATION



The corrugated structure of the outer plate stiffens it and also acts as a plaster carrier.

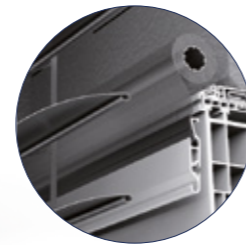


2-IN-1-SYSTEM



There are two types of revisions available for the CleanBox which give you access to the box. This revision is from the front and the bottom of the box.

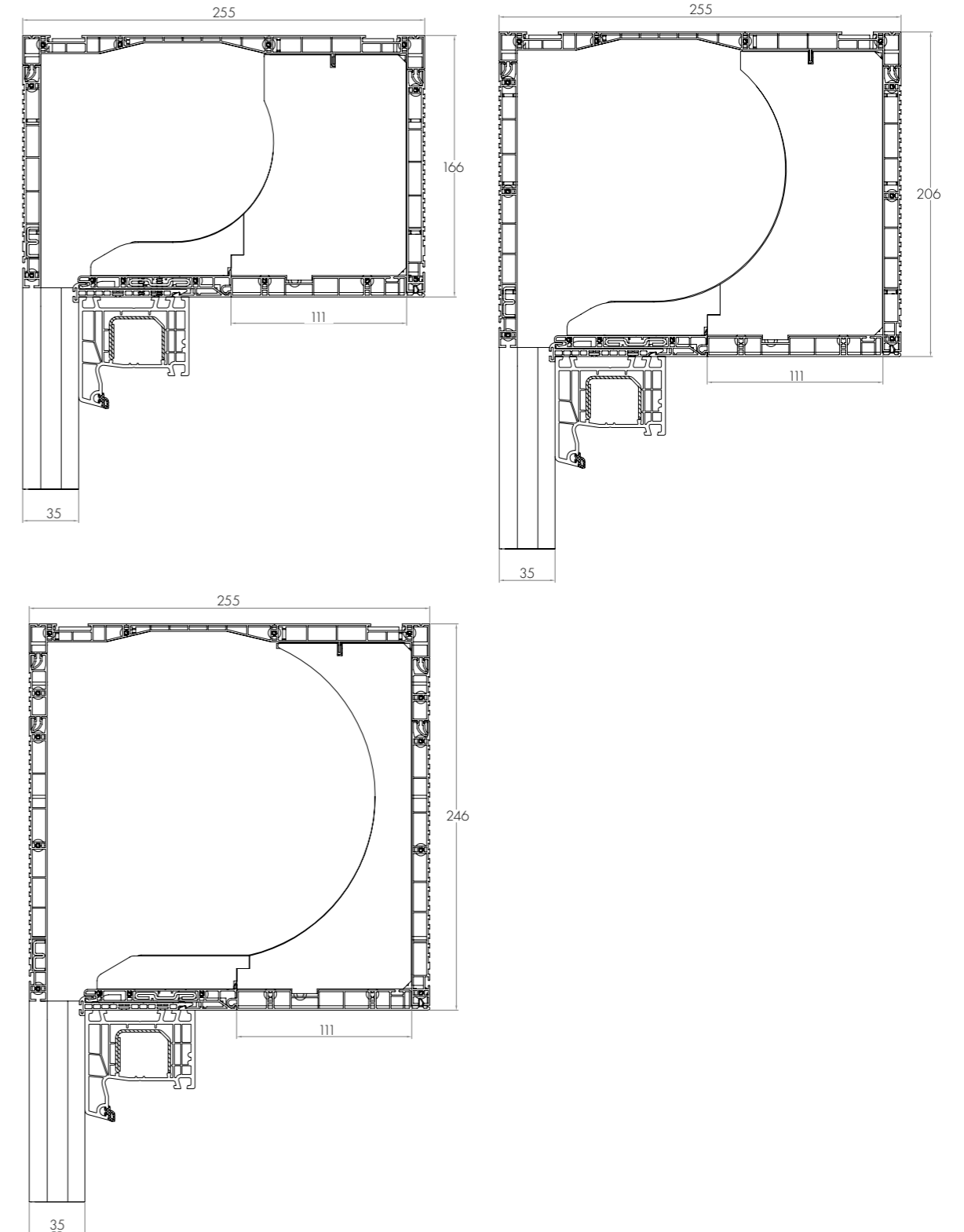
FAÇADE BLIND SYSTEM



For the CleverBox it is possible to use the C80/Z90 roller shutter insert.

* the given parameters relate to the neapor insulation

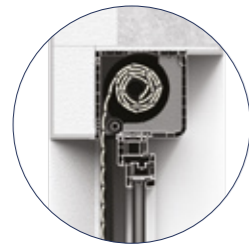
MAXIMUM ROLLER SHUTTER HEIGHT (WINDOW HEIGHT + BOX HEIGHT) IN MM					
BOX	H mm	B mm	ARMOUR TYPE ALU 39		
165	165	255	1500	1250	1250
205	205	255	2750	2500	2500
245	245	255	400	4250	4000
			Ø 40	Ø 50	Ø 60
ROLLER SHUTTER SYSTEM	FAÇADE BLIND INSERT	STATIC CONSOLES	STEEL REINFORCEMENT		
Cleverbox SI	YES (option)	YES	internal profiles (option)		



CLEVERBOX RI

TOP-MOUNTED ROLLER SHUTTER

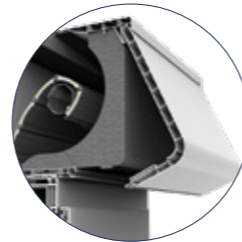
SIMPLICITY OF INSTALLATION



The corrugated structure of the outer plate improves adhesion to various types of plasters, glues etc.



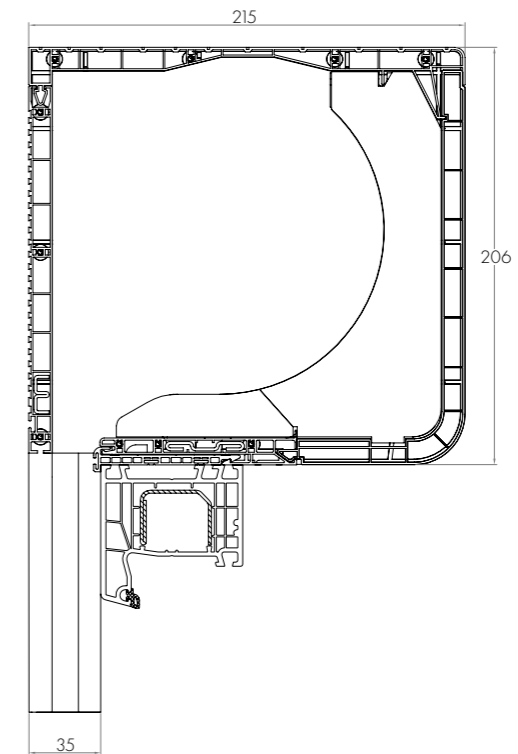
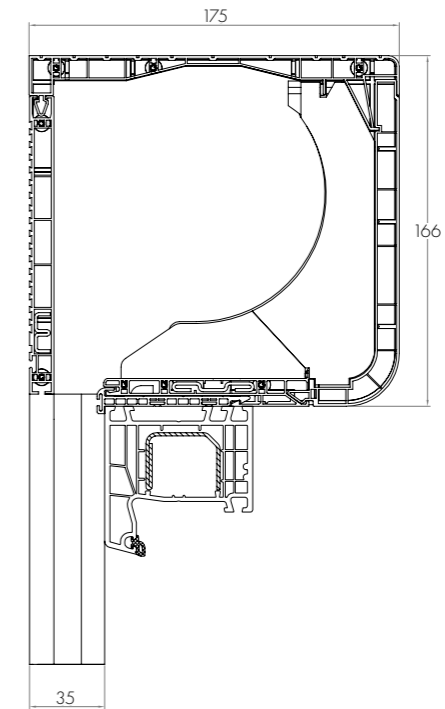
REVISED FROM THE FRONT



No interior installation possible.
Aesthetic, oval design of box.

* the given parameters relate to the neapor insulation

MAXIMUM ROLLER SHUTTER HEIGHT (WINDOW HEIGHT + BOX HEIGHT) IN MM					
BOX	H mm	B mm	ARMOUR TYPE ALU 39		
165	165	175	1250	1250	1000
205	205	215	2500	2500	2250
			Ø 40	Ø 50	Ø 60
ROLLER SHUTTER SYSTEM	FAÇADE BLIND INSERT	STATIC CONSOLES	STEEL REINFORCEMENT		
Cleverbox RI	NO	YES	internal profiles (option)		

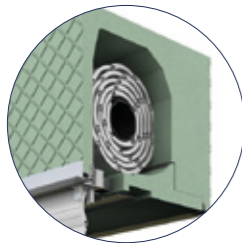




ROKA-TOP 2 RG / EX

TOP-MOUNTED ROLLER SHUTTER

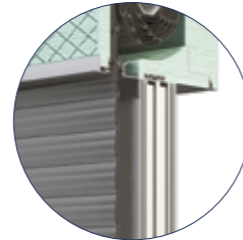
EXTERNAL REVISION



Maintenance of roller shutters based on the Roka-Top 2 RG system is possible only from the outside.



EXCEPTIONAL STABILITY



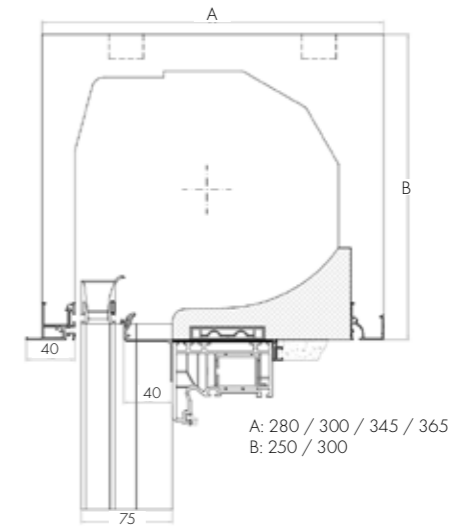
Installation of steel reinforcement and static consoles improving the static properties of the structure.

* 365 not available in the EX clinker version

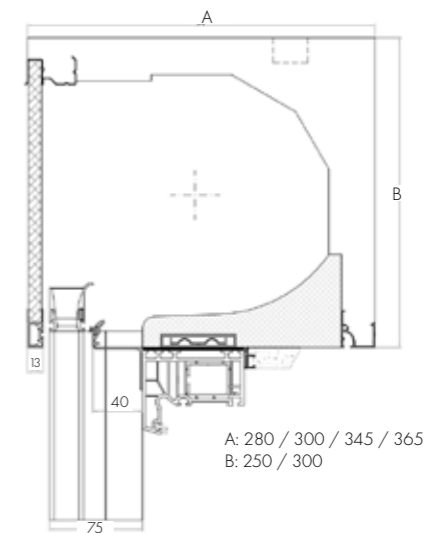
MAXIMUM ROLLER SHUTTER HEIGHT (WINDOW HEIGHT + BOX HEIGHT) IN MM			
BOX	H mm	B mm	ARMOUR TYPE ALU 39
250	250	280, 300, 345, 365 *	3250
300	300	280, 300, 345, 365 *	4250
			Ø 50 external revision
ROLLER SHUTTER SYSTEM	FAÇADE BLIND INSERT	STATIC CONSOLES	STEEL REINFORCEMENT
Roka Top 2 RG	NO	YES	as standard (profile)



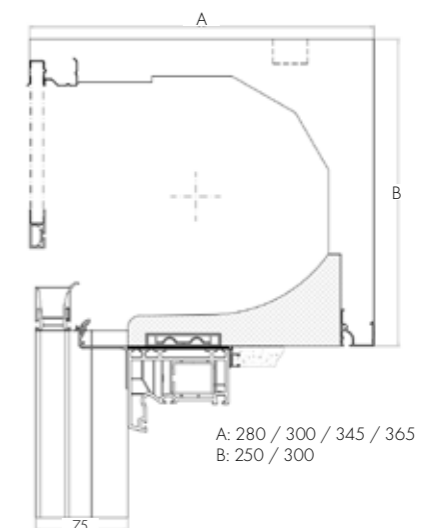
PLASTER (MONOLITHIC)



WDVS



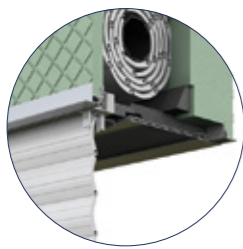
CLINKER



ROKA-TOP 2 / EX

TOP-MOUNTED ROLLER SHUTTER

DURABLE CONSTRUCTION



Boxes made of hard polystyrene foam ensure a high level of thermal and acoustic insulation, allowing a reduction in the cost of heating for winter and at the same time reducing the heating of rooms in summer.



TOTAL INSTALLATION



Adaptable to any type of exterior façade.



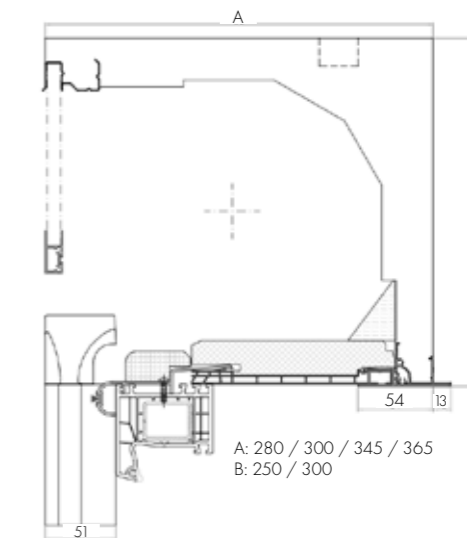
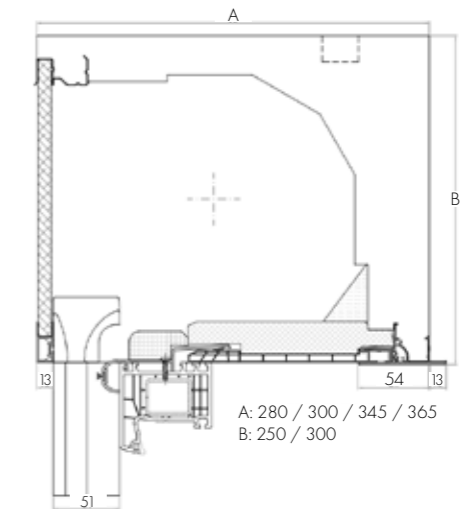
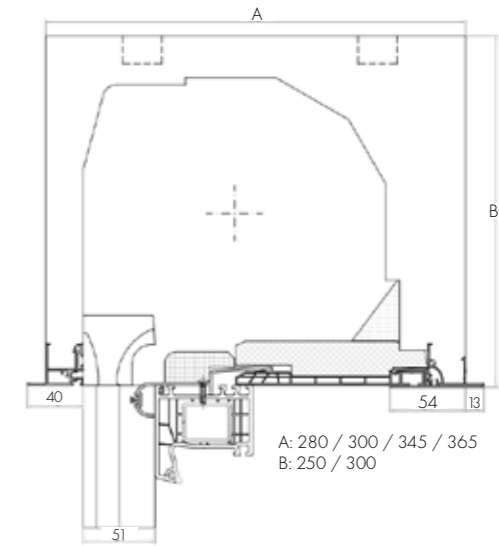
PLASTER (MONOLITHIC)



WDVS



CLINKER



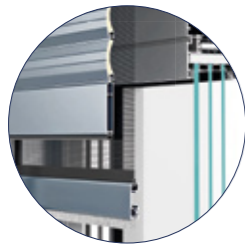
* 365 not available in the EX clinker version

MAXIMUM ROLLER SHUTTER HEIGHT (WINDOW HEIGHT + BOX HEIGHT) IN MM			
BOX	H mm	B mm	ARMOUR TYPE ALU 39
250	250	280, 300, 345, 365 *	3250
300	300	280, 300, 345, 365 *	4500
			Ø 50 internal revision
ROLLER SHUTTER SYSTEM	FAÇADE BLIND INSERT	STATIC CONSOLES	STEEL REINFORCEMENT
Roka Top 2	NO	YES	as standard (profile)

SKB - STYROTERM

TOP-MOUNTED ROLLER SHUTTER

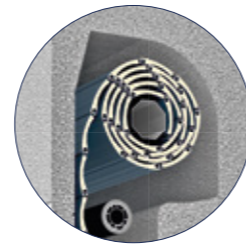
BUILDING FAÇADE ELEMENT



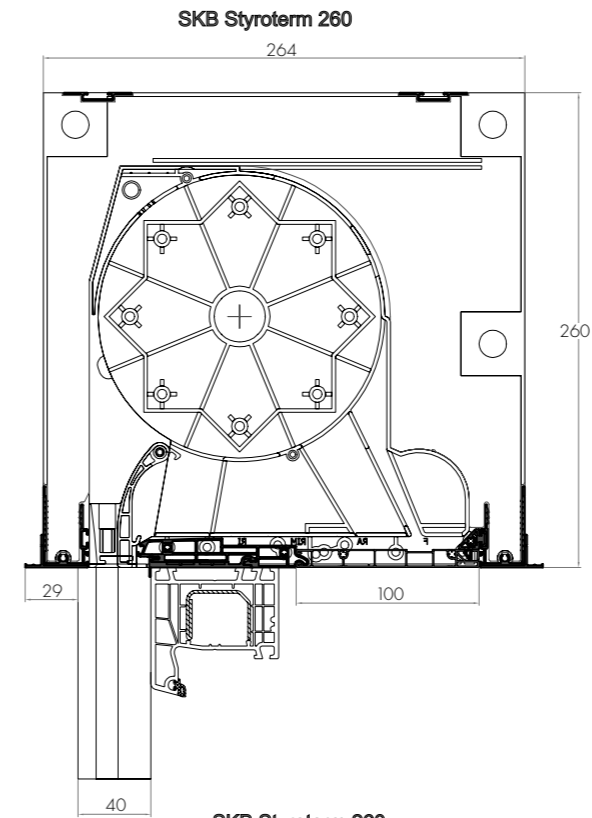
SKB Styroterm has been designed to be completely installed into the insulation so that the box becomes an unnoticeable element of the façade.



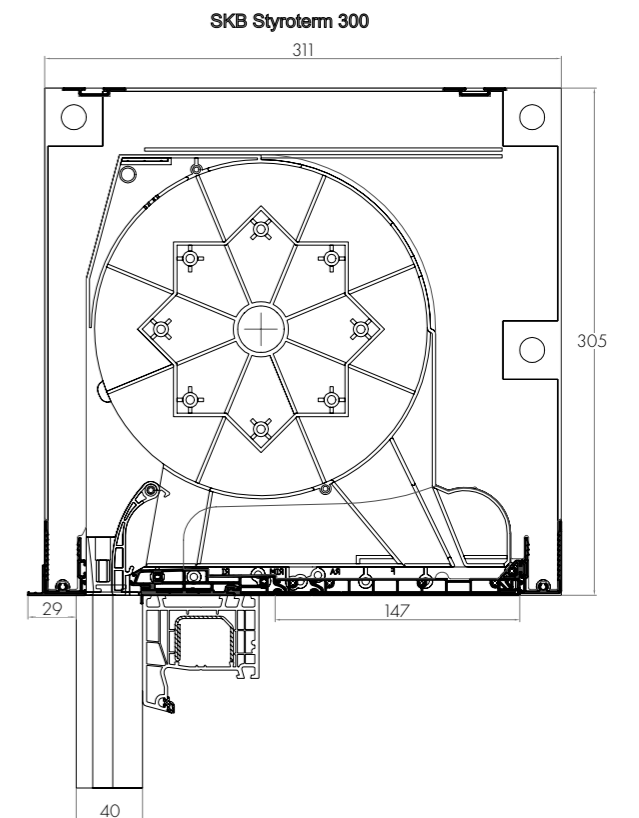
MODERN DESIGN



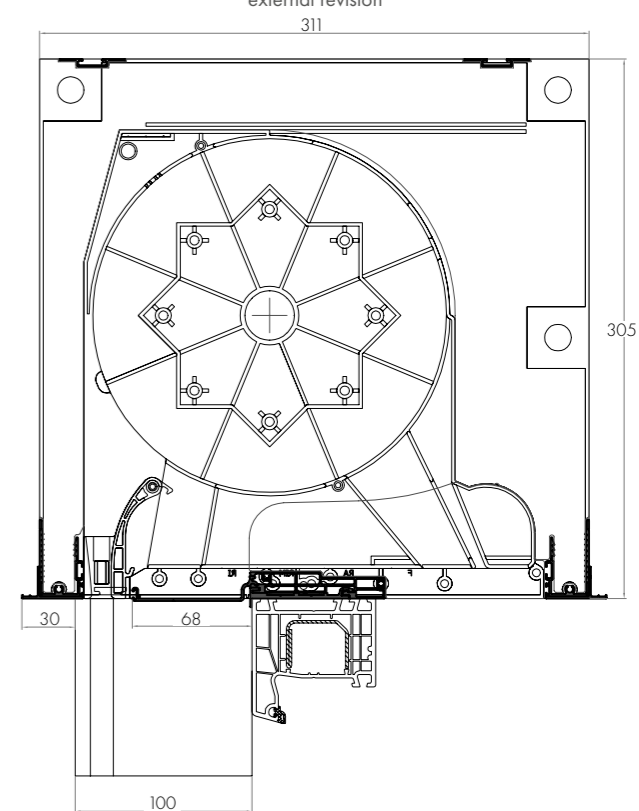
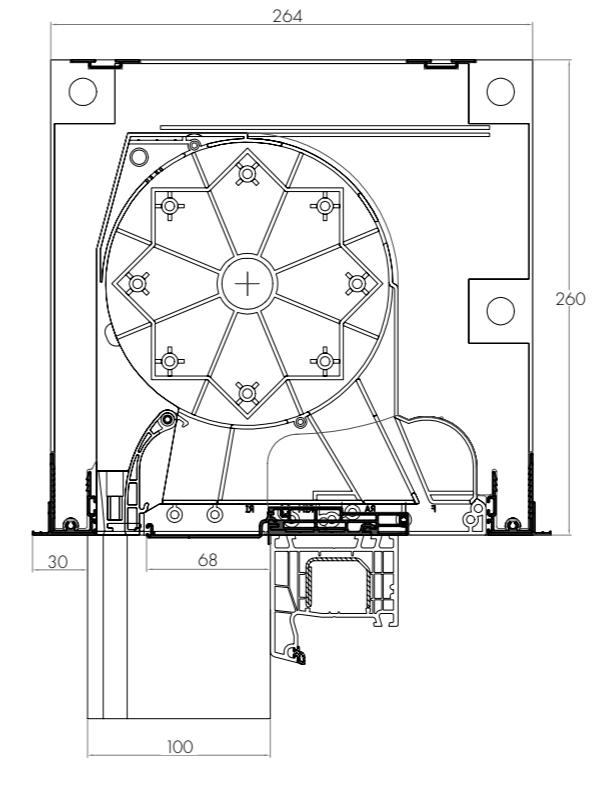
When designing the roller shutter, the main focus was on the material from which the box was made. As a result the product has extremely good thermal insulation parameters.



SKB Styroterm 260
external revision



SKB Styroterm 300
external revision



MAXIMUM ROLLER SHUTTER HEIGHT (WINDOW HEIGHT + BOX HEIGHT) IN MM

BOX	H mm	B mm	ARMOUR TYPE ALU 39
260	260	260	3250
300	300	300	4250
			Ø 50
ROLLER SHUTTER SYSTEM	FAÇADE BLIND INSERT	STATIC CONSOLES	STEEL REINFORCEMENT
SKB Styroterm	YES	YES	option

SP-E / QUADBOX

EXTERNAL FLUSH-MOUNTED ROLLER SHUTTER

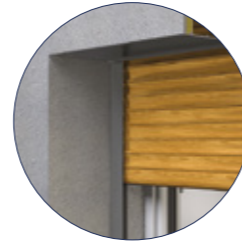
ELEMENT BUILDING FAÇADE



The front of the roller shutter box is also a base for any finishing material (e.g. plaster or clinker), thanks to which the box becomes an unnoticeable element of the building façade



MODERN DESIGN



The modern design of the Quad Box allows maintenance and service works to be performed on the elements of the roller shutter mechanism without disturbing the privacy of household members. The product has extremely good thermal insulation parameters.

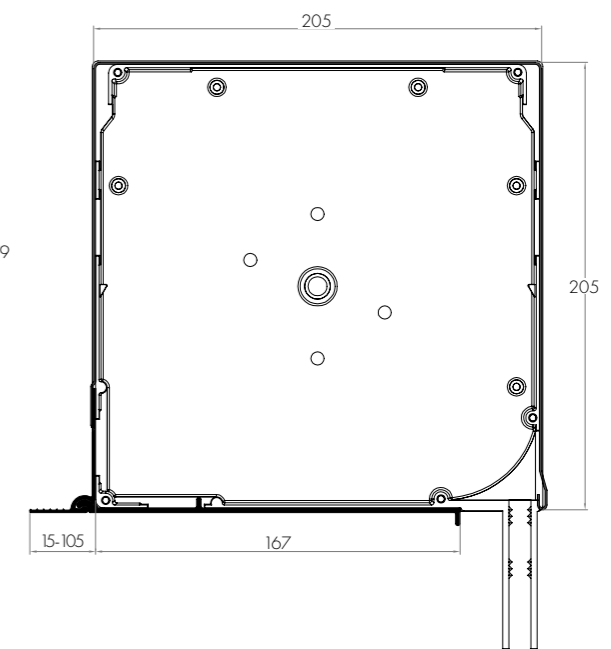
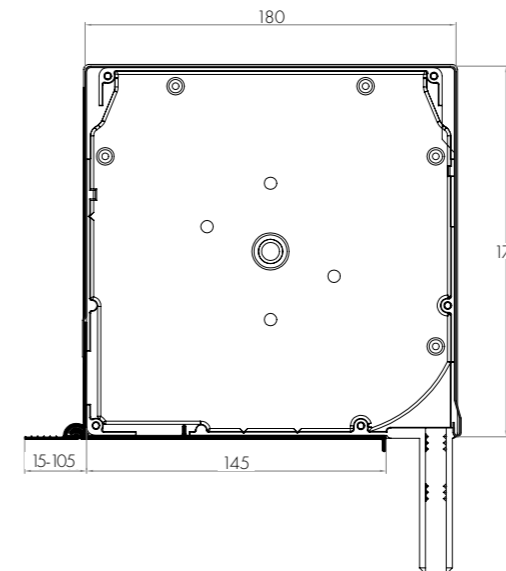
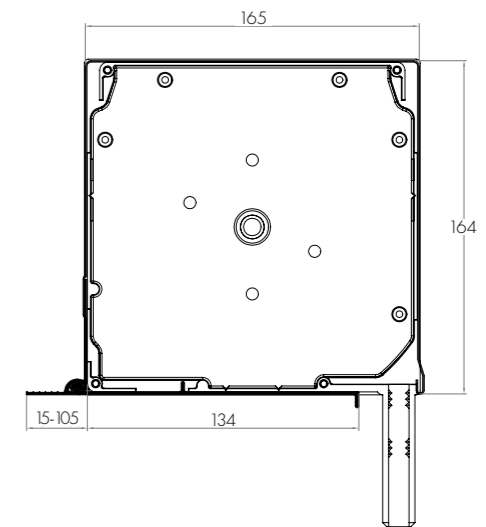
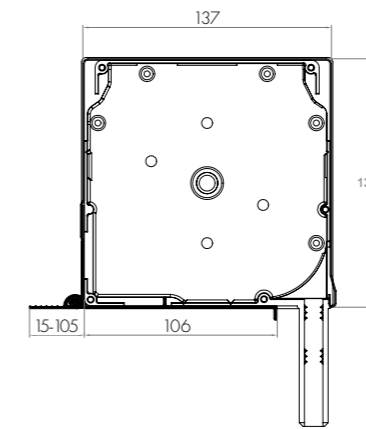
PVC REVISION FLAP Quadbox



PVC revision flap available in a veneer.

MAXIMUM ROLLER SHUTTER HEIGHT (WINDOW HEIGHT + BOX HEIGHT) IN MM

BOX	H mm	B mm	ARMOUR TYPE ALU 39		
			Ø 40	Ø 50	Ø 60
137**	137	131	1560	1130	1410
165	165	157	2390	2200	2280
180	180	171	2950	3060	2790
205	205	195	4320	4740	4050
** it is not possible to install a mosquito net			Ø 40	Ø 50	Ø 60



SK-45

EXTERNAL ADAPTIVE ROLLER SHUTTER

EASY TO ASSEMBLE



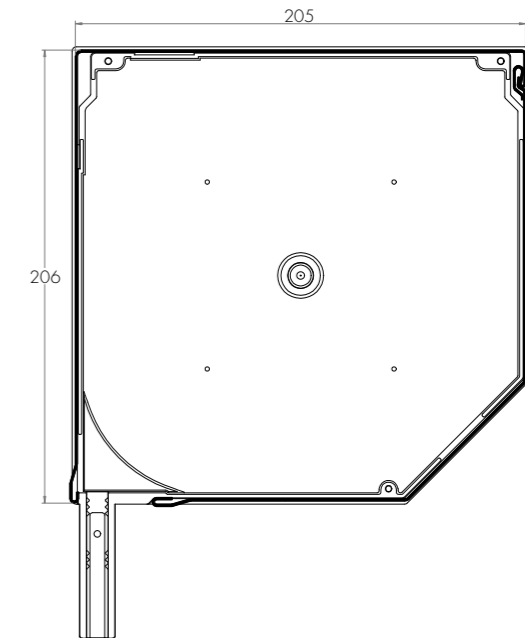
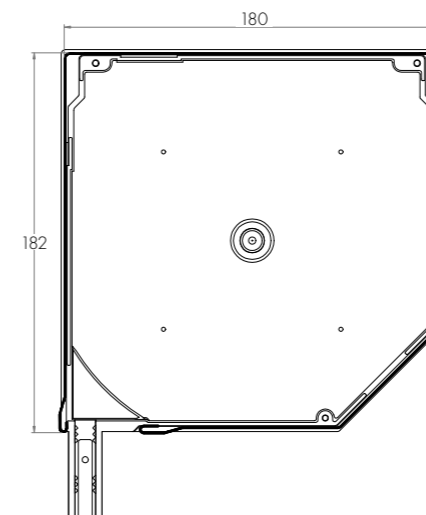
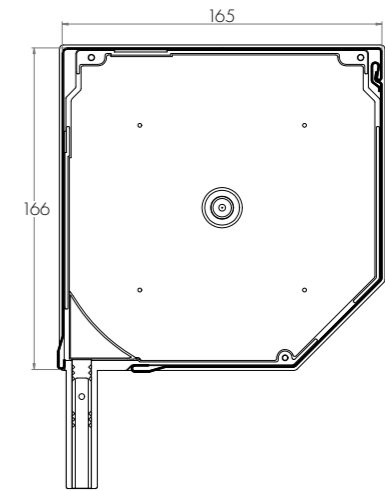
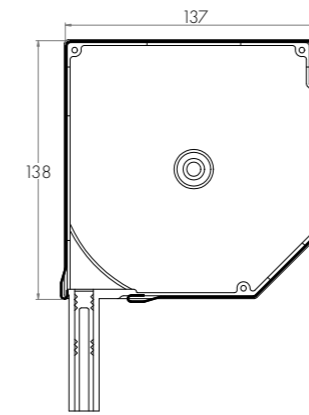
The box is fully prepared for assembly. The SK-45 roller shutter box is mounted on the façade and does not require any interference with its structure. Therefore, it can be easily installed on an existing building. Available in the full range of RAL colours.



INTEGRATED MOSQUITO NET



Possibility to choose a box with an integrated mosquito net. Only for boxes over 137 mm.



MAXIMUM ROLLER SHUTTER HEIGHT (WINDOW HEIGHT + BOX HEIGHT) IN MM

BOX	H mm	B mm	ARMOUR TYPE ALU 39		
			Ø 40	Ø 50	Ø 60
137**	137	137	1560	1170	1440
165	165	165	2390	2200	2280
180	180	180	2950	3060	2790
205	205	205	4320	4740	4050
** it is not possible to install a mosquito net			Ø 40	Ø 50	Ø 60

SK-90

EXTERNAL ADAPTIVE ROLLER SHUTTER

UNIVERSAL SHAPE



Suitable for many architectural projects.

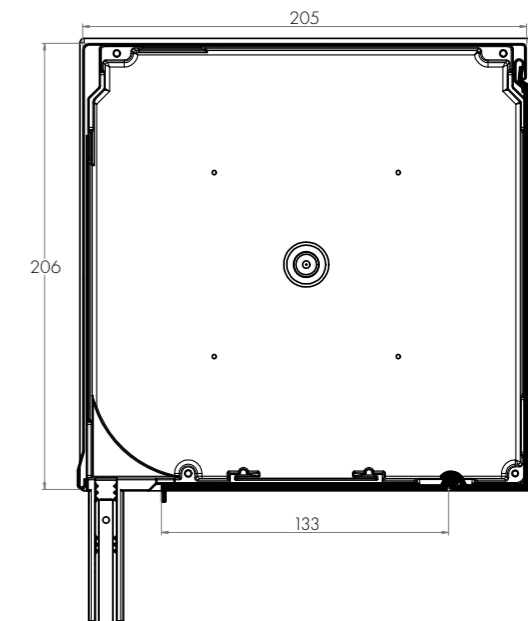
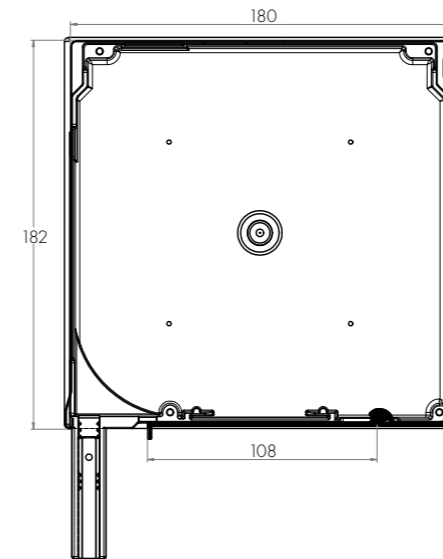
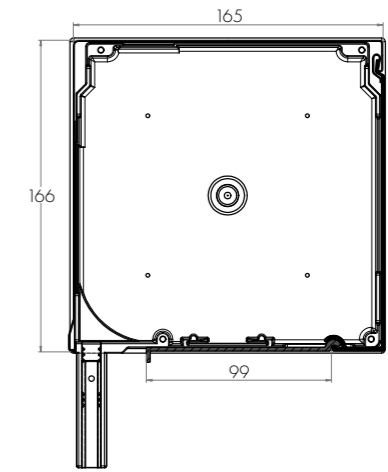
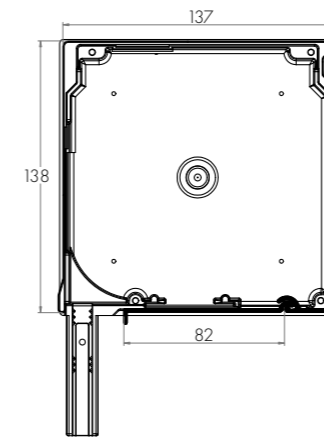


INTEGRATED MOSQUITO NET



Possibility of choosing a box with an integrated mosquito net. Only for boxes over 137 mm.

MAXIMUM ROLLER SHUTTER HEIGHT (WINDOW HEIGHT + BOX HEIGHT) IN MM					
BOX	H mm	B mm	ARMOUR TYPE ALU 39		
137**	137	137	1560	1170	1440
165	165	165	2390	2200	2280
180	180	180	2950	3060	2790
205	205	205	4320	4740	4050
** it is not possible to install a mosquito net			Ø 40	Ø 50	Ø 60



SKO-P

EXTERNAL ADAPTIVE ROLLER SHUTTER

AESTHETIC VALUES



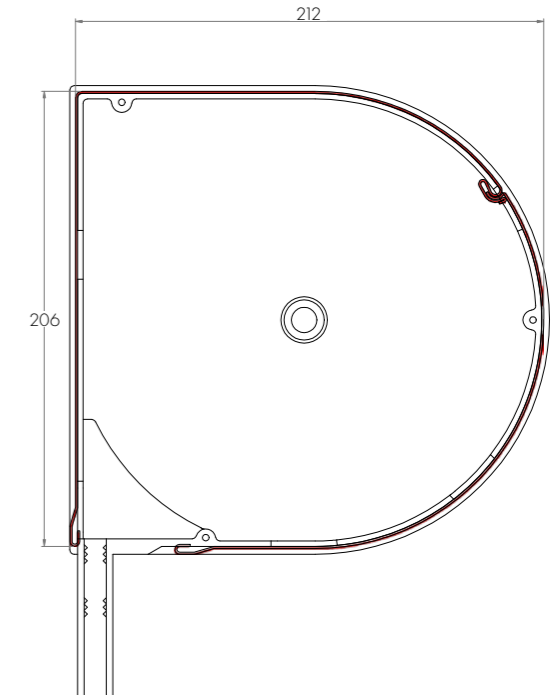
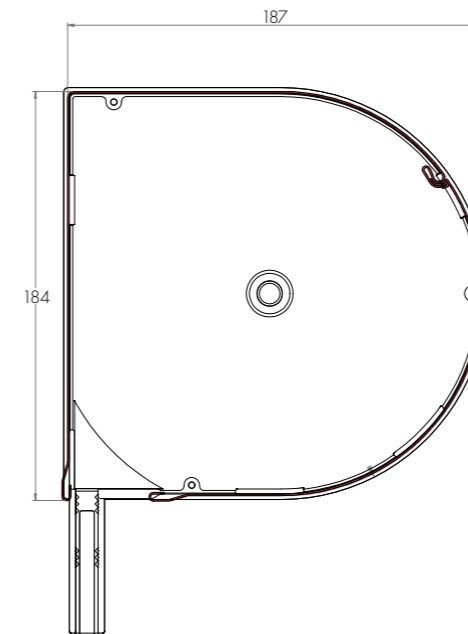
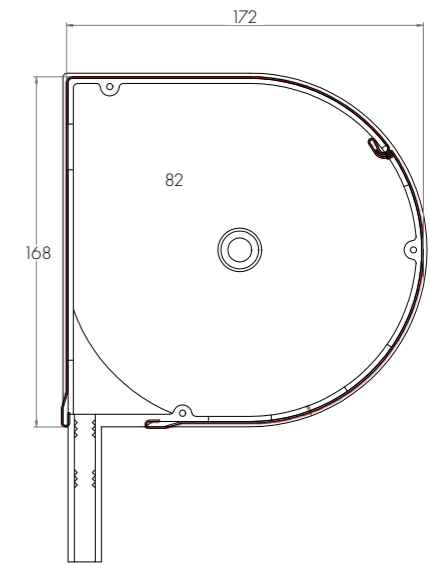
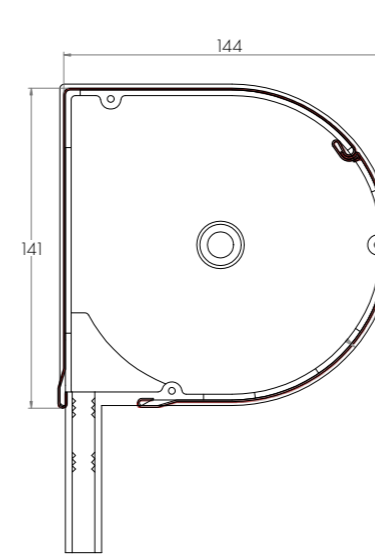
A rounded box and the possibility of using a rounded PPDO overlay on the guide to unify and give a unique appearance to the entire structure.
Available in the full range of RAL colours.



INTEGRATED MOSQUITO NET



Possibility to choose a box with an integrated mosquito net.
Only for boxes over 137 mm.



MAXIMUM ROLLER SHUTTER HEIGHT (WINDOW HEIGHT + BOX HEIGHT) IN MM

BOX	H mm	B mm	ARMOUR TYPE ALU 39		
			Ø 40	Ø 50	Ø 60
137**	141	141	1560	1130	1410
165	168	172	2390	2200	2280
180	184	187	2950	3060	2790
205	206	212	4320	4740	4050
** it is not possible to install a mosquito net			Ø 40	Ø 50	Ø 60

SK-P

EXTERNAL ADAPTIVE ROLLER SHUTTER

A ROUNDED REVISION FROM THE FRONT



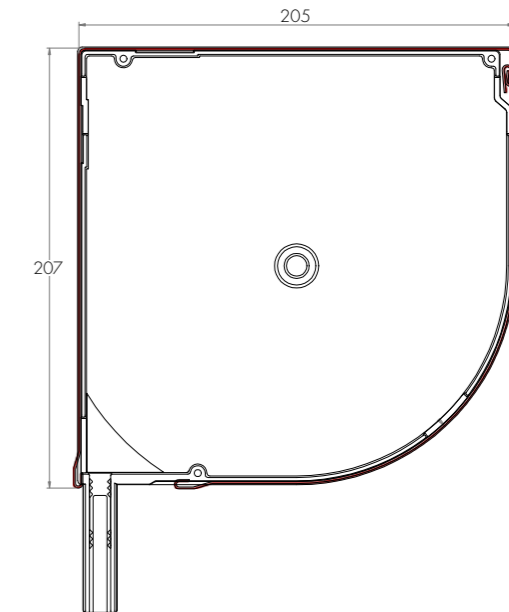
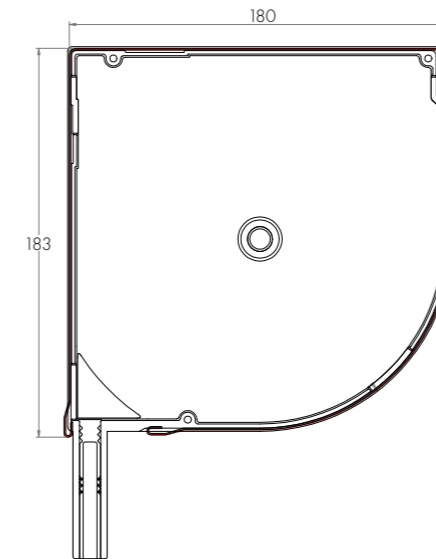
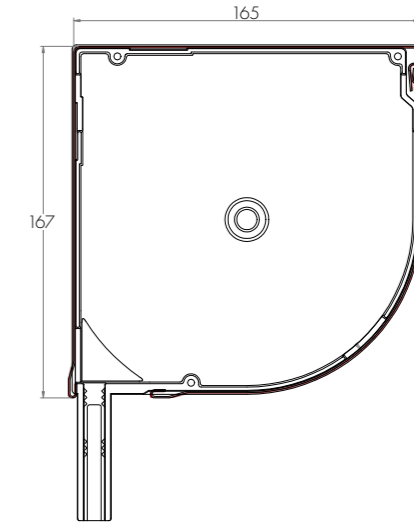
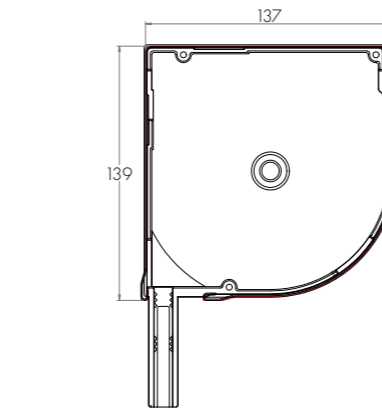
A half-round box perfectly suited for installation in window recesses, giving an aesthetic appearance. Available in the full range of RAL colours and the possibility of painting.



INTEGRATED MOSQUITO NET



Possibility to choose a box with an integrated mosquito net. Only for boxes over 137 mm.



MAXIMUM ROLLER SHUTTER HEIGHT (WINDOW HEIGHT + BOX HEIGHT) IN MM

BOX	H mm	B mm	ARMOUR TYPE ALU 39		
			Ø 40	Ø 50	Ø 60
137**	137	137	1560	1130	1410
165	165	165	2390	2200	2280
180	180	180	2950	3060	2790
205	205	205	4320	4740	4050
** it is not possible to install a mosquito net			Ø 40	Ø 50	Ø 60



SDZ

RENOVATION ROLLER SHUTTER

SELF-SUPPORTING SYSTEM



The first system to fill a traditional roller shutter installed together with the window.

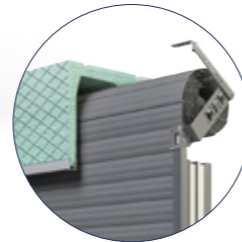


ADJUSTMENT OF SHAFT POSITION



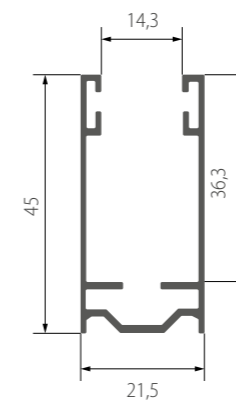
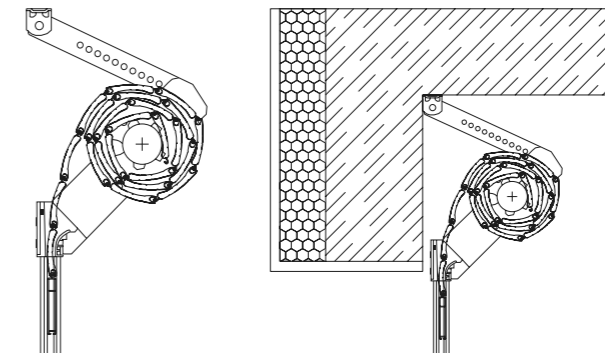
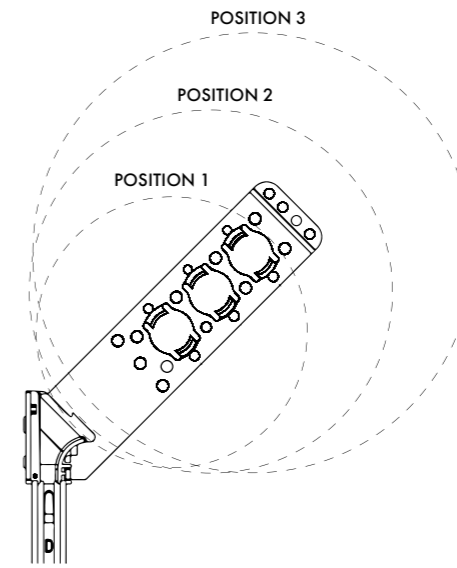
The position of the shaft can be adjusted on the support consoles.

UNIVERSAL SOLUTION

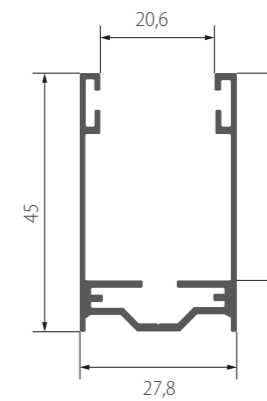


The SDZ system can be easily adapted to many types of lintel boxes

POSITION OF THE NAVE TUBE	WINDING DIAMETER FOR THE ARMoured VERSION
Position 1	≤ 165 mm
Position 2	≤ 225 mm
Position 3	≤ 270 mm



PU 45

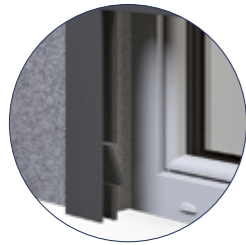


PU 45/20

SAR

ANTI-BURGLARY ROLLER SHUTTER

ANTI-BURGLARY SYSTEM



It has been tested in an accredited laboratory where, in accordance with PN-EN 1627: 2011, it obtained an RC3 burglary resistance of class 3. The anti-burglary construction can be used in both adaptive and flush-mounted systems.



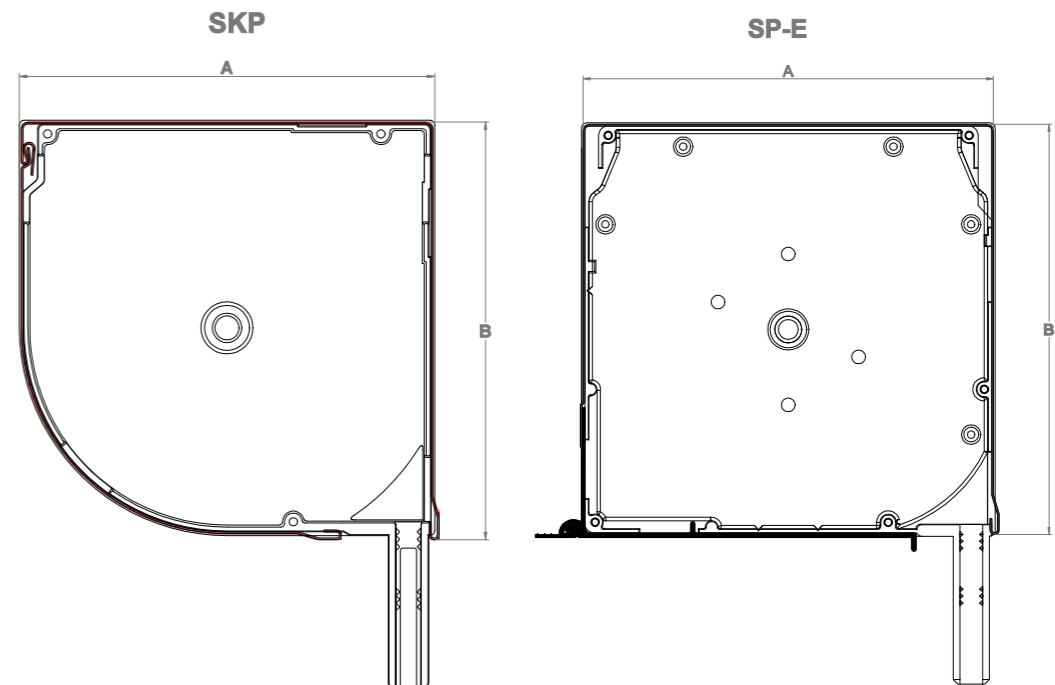
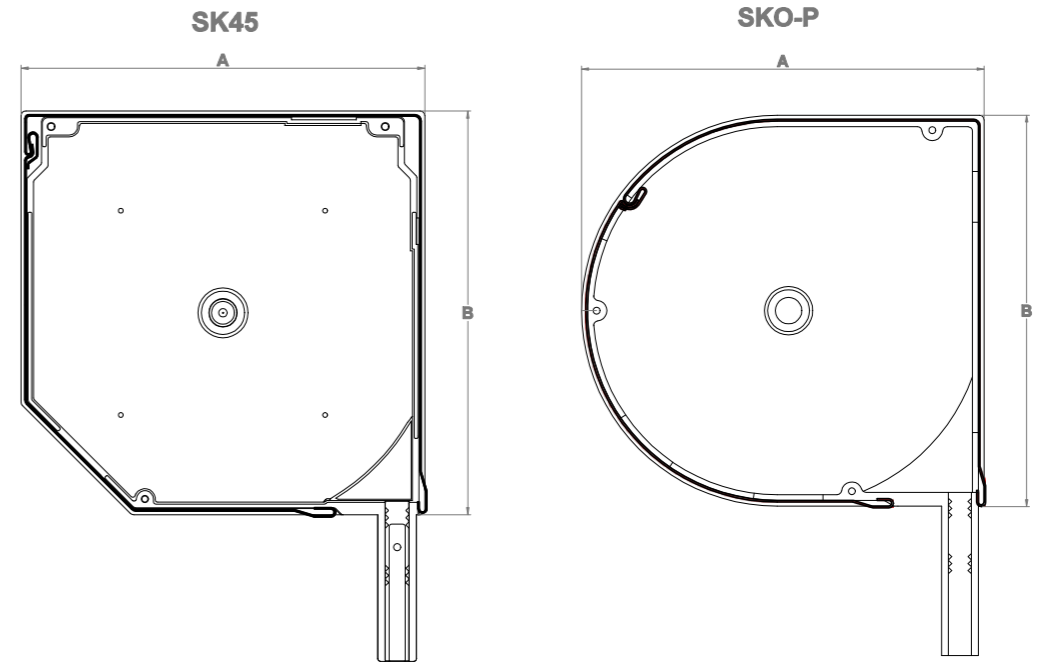
RC2 RC3

REINFORCED CONSTRUCTION OF THE GUIDES



The armoured system is made from an extruded profile (PE 55), with reinforcement of the bottom rail (W-LDG 55/W) and two security systems (WB and LDG 55/W) – this is the perfect solution combining a strong, durable and closed cover with an aesthetic design and convenience.

MAXIMUM ROLLER SHUTTER HEIGHTS INCLUDING BOX IN MM			
BOX		SW 60 + PW 60	
SK / SKP / SP-E / 180			1220
SK / SKP / SP-E / 205			1800
SKO-P / 180			1170
SKO-P / 205			1690
PROFILE PE 55		PROFILE PE 41	
Max. width	2800 mm	Max. width	2500 mm
Max. height	1800 mm	Max. height	2790 mm
Max. area	4,3 m ²	Max. area	6,97 m ²



SAR SK45	
A	B
180	180
205	205
250	250

SAR SKO-P, SKP, SP-E	
A	B
180	180
205	205

BGR

ROLLER GARAGE DOOR

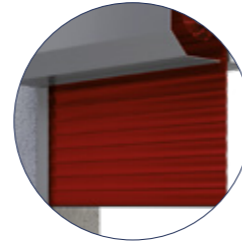
SECURITY



A gate operating in the vertical plane is a good solution where the driveway to the garage is short or leads directly from the road. This significantly improves the safety of the driver, as the raised gate curtain does not limit visibility.



A WIDE RANGE OF COLOURS



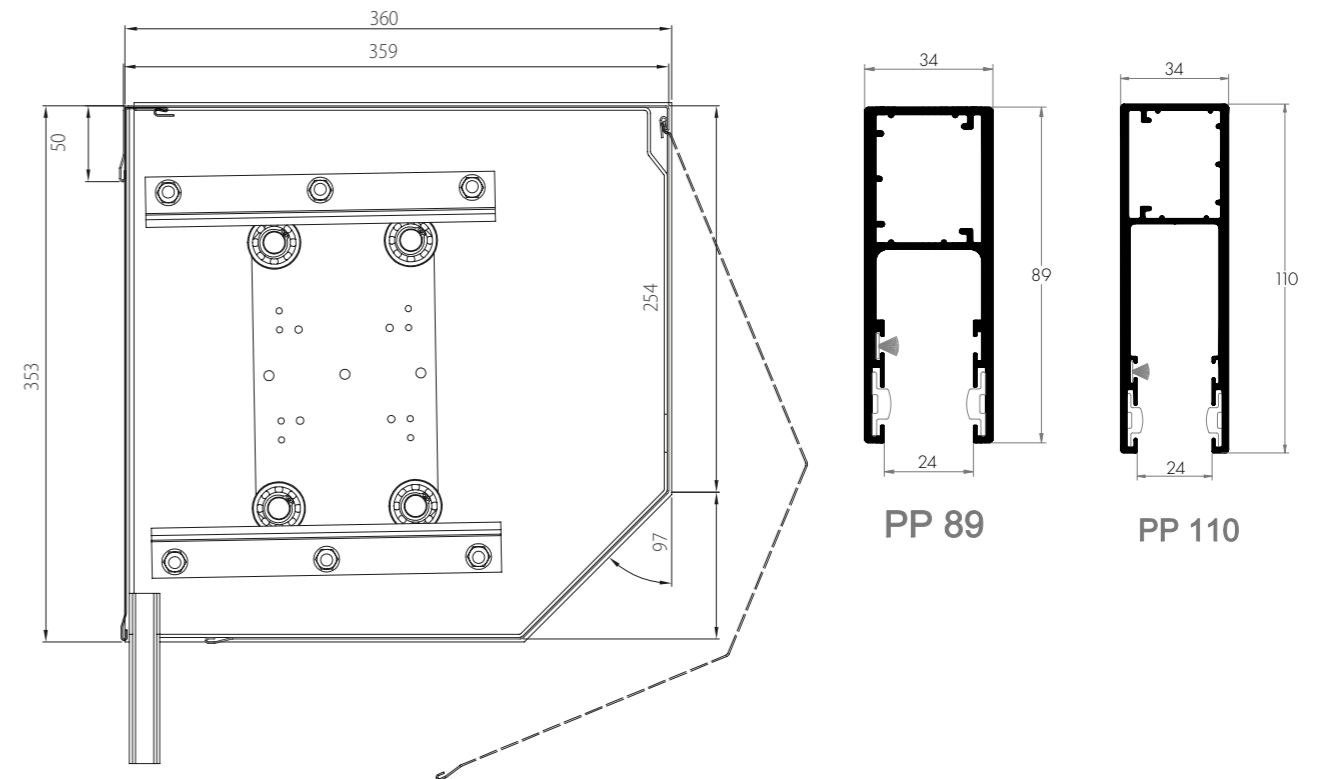
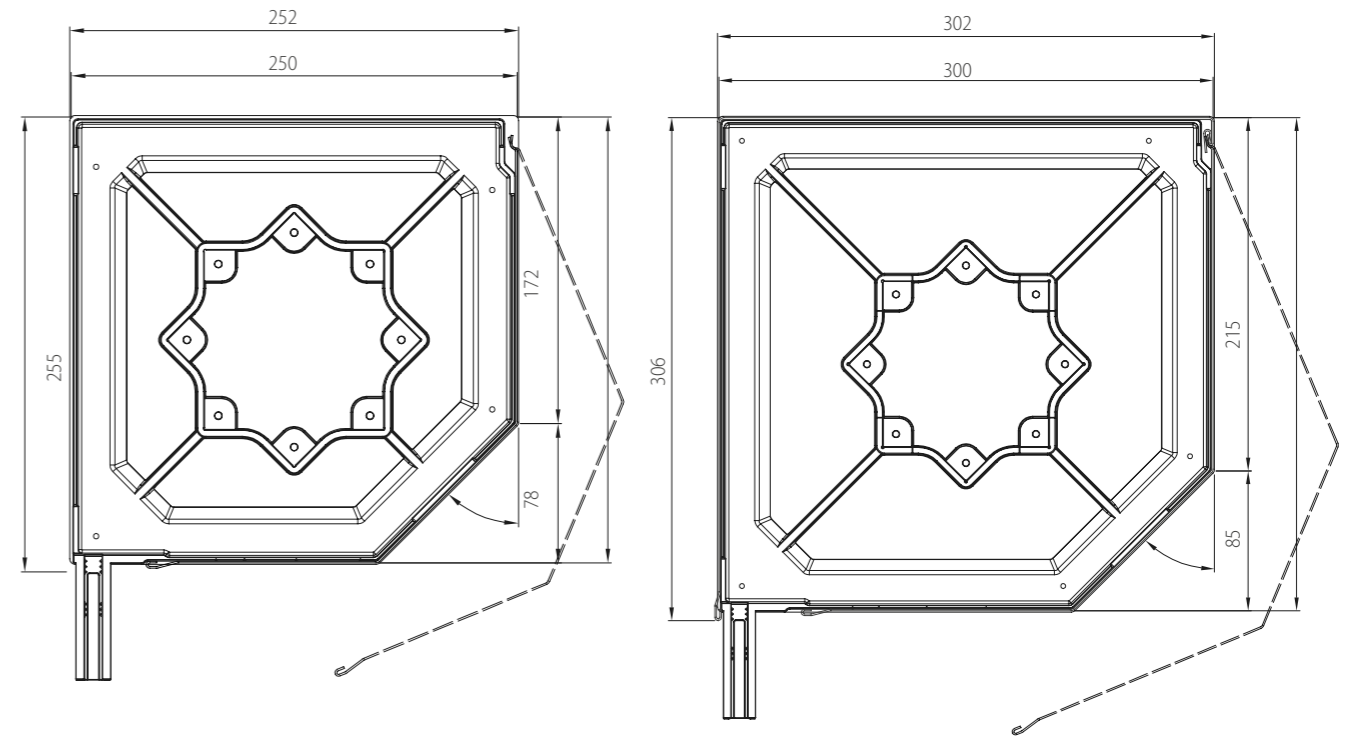
This makes the gate an ideal decorative element to suit the design of the building. High quality sheet metal system components have increased resistance to abrasion and weather conditions.

GLAZING AND VENTILATED PROFILE



*option

SK 45					
ROLLER SHUTTER SYSTEM	250	250 +console	300	300 +console	350 +console
PIPE SW 70	1610	1610	2460	3080	4920
PIPE AW 125	1380	1460	2770	2920	4380



SKN

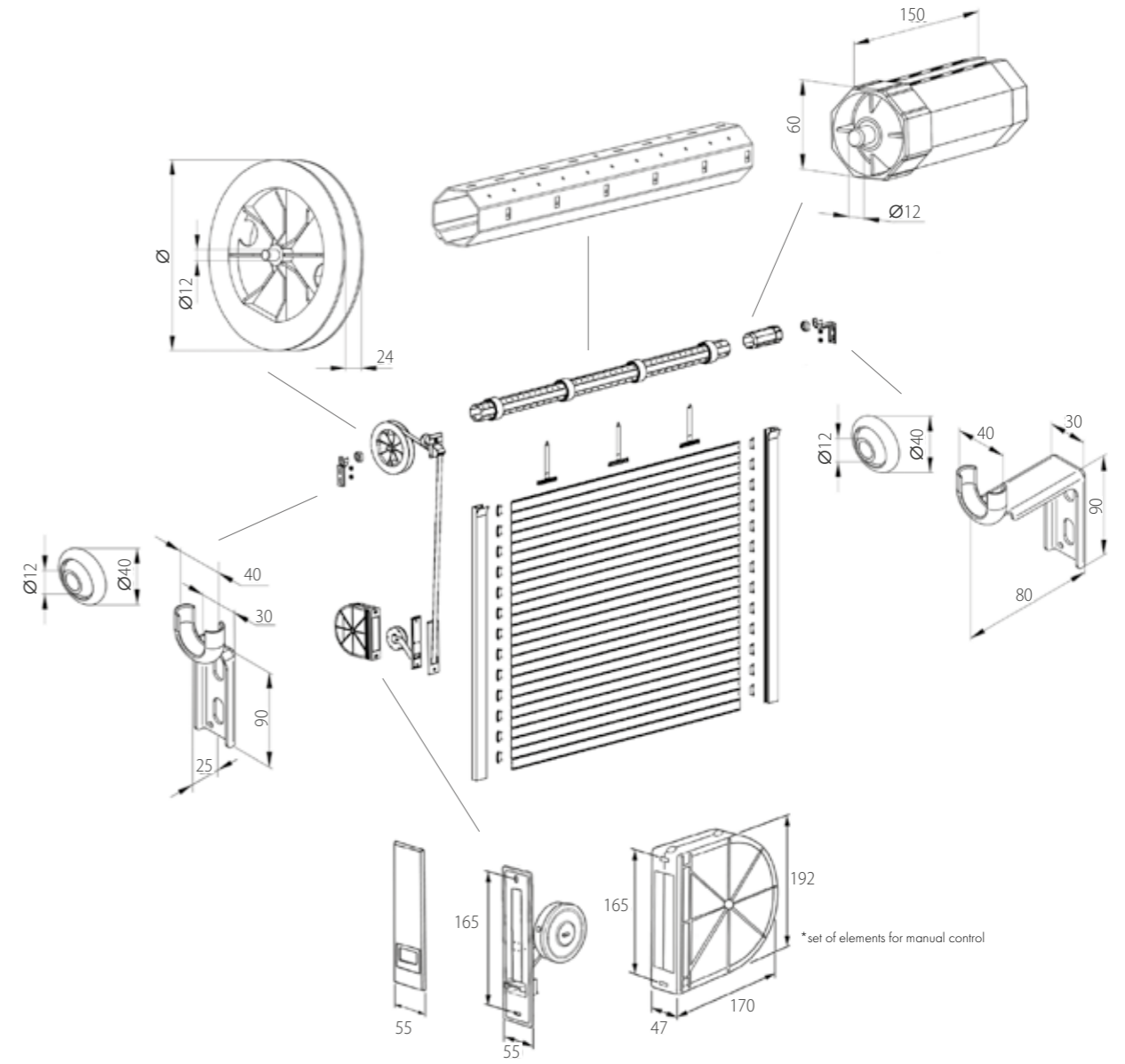
EQUIPMENT FOR LINTEL BOXES



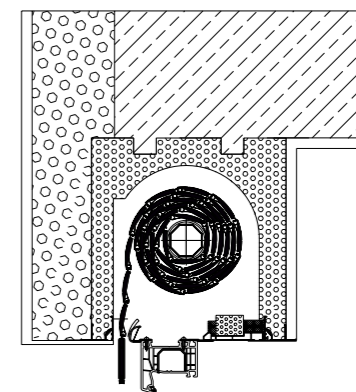
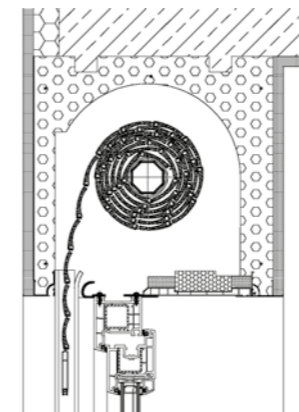
*example of installation, box not included

A set of elements suitable for many types of roller shutter lintel boxes, with the opportunity to select a version operated manually by a belt and winder or an electric controller, with any of the motors we offer.

The set includes: a diameter 60 winding tube, side supports, mounting of the selected drive, selected guides and armour.



*set of elements for manual control



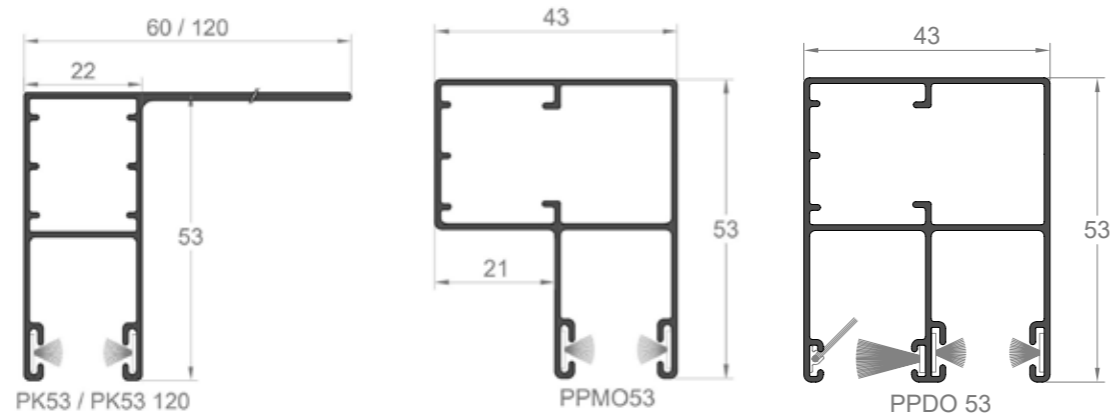
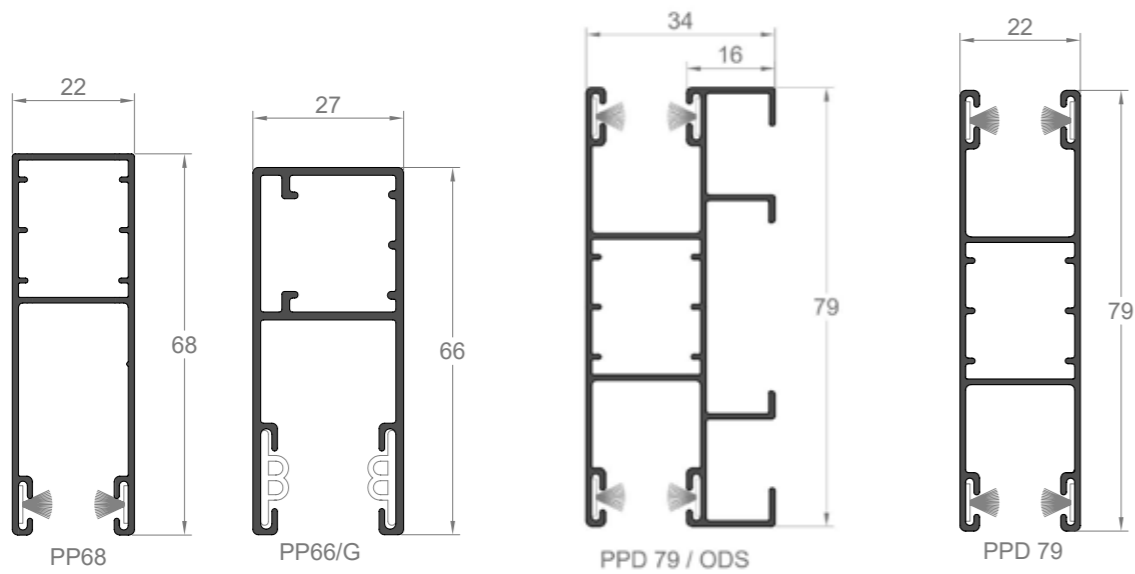
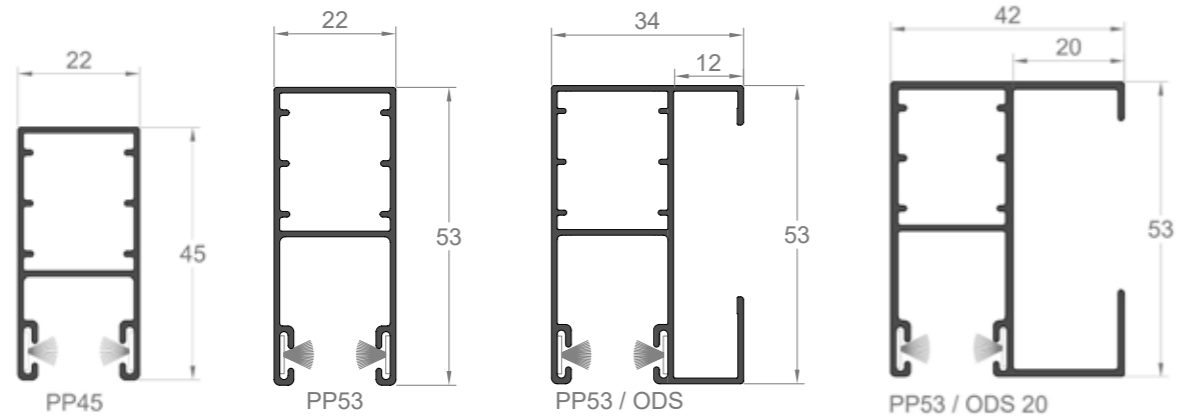


LIST OF GUIDE RAILS

DEDICATED FOR SYSTEMS: SK45, SKP, SKO-P, SP-E, QUADBOX

The guide rails are supplied with dedicated bottom plugs and also 10 mm plugs to cover the mounting holes.

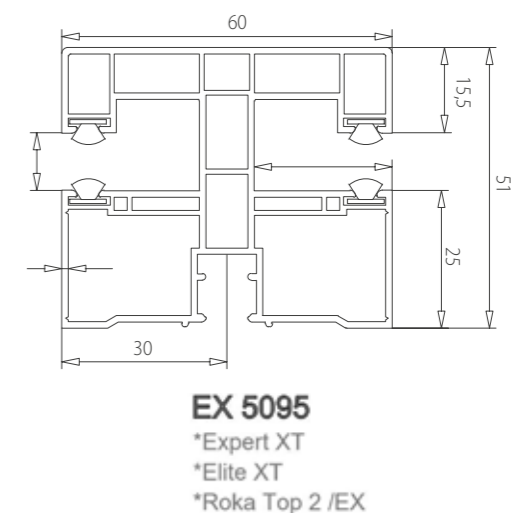
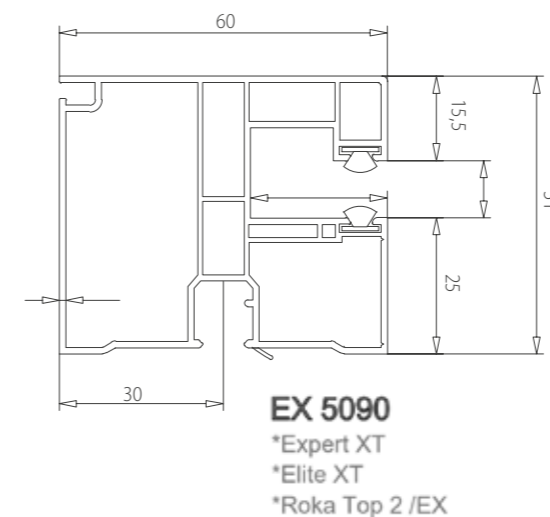
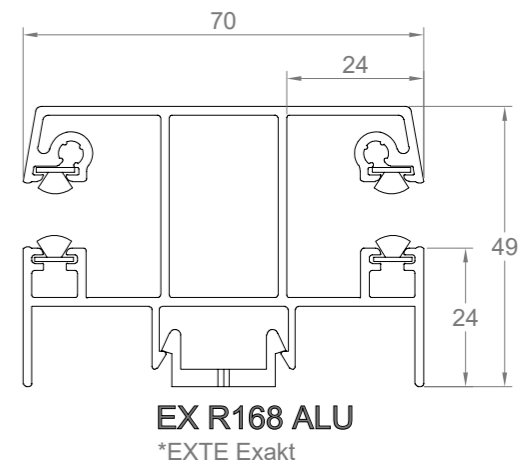
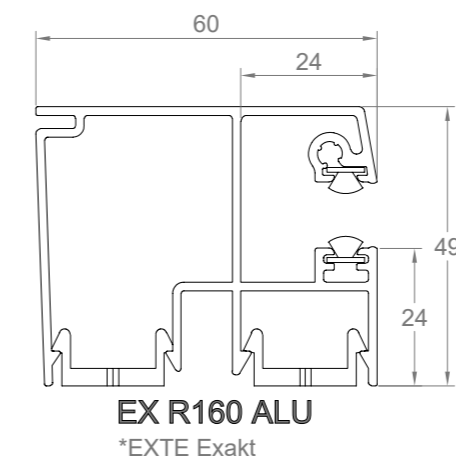
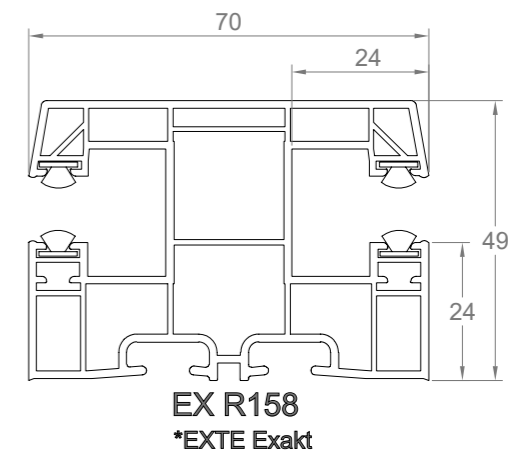
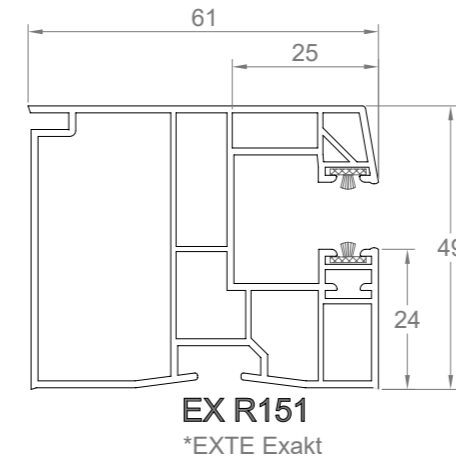
*Bottom plugs are available for the guide rails: PP45, PP53, PPDO53, PPD79

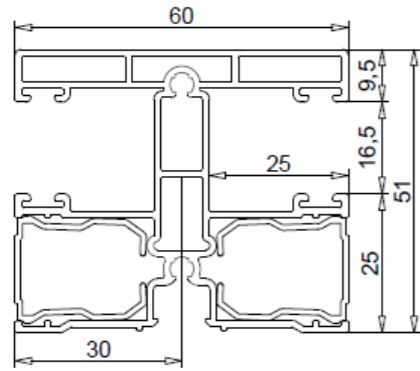


LIST OF GUIDE RAILS

PVC AND ALUMINIUM GUIDE RAILS FOR TOP-MOUNTED ROLLER SHUTTERS

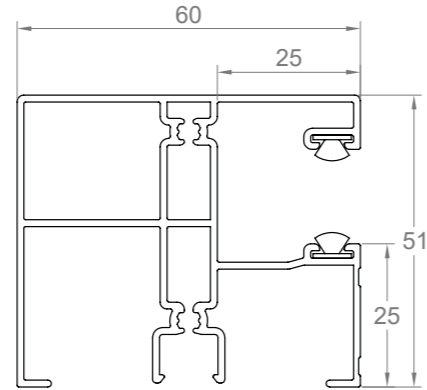
*The guide rails are supplied with bottom plugs and also dedicated screws/mounting clips.





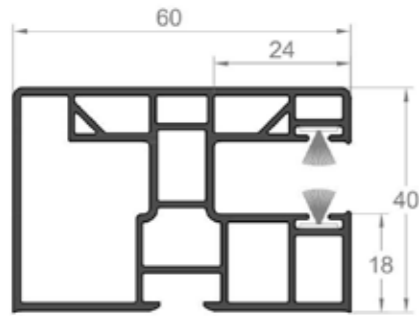
EX 5431 ALU

*Expert XT
*Elite XT
*Roka Top 2/EX



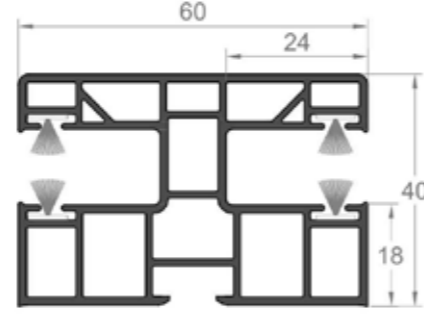
EX 5432 ALU

*Expert XT
*Elite XT
*Roka Top 2/EX



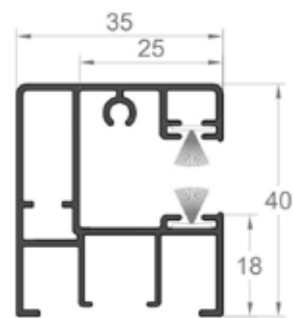
PP 60/12

*SKT Opoterm
*SKB Styroterm



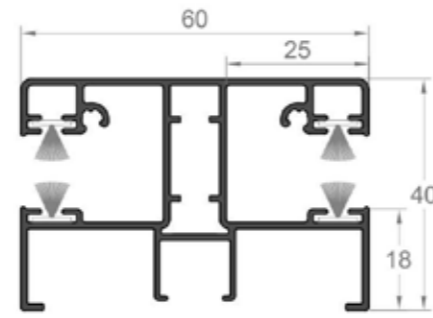
PPD-P 60/12

*SKT Opoterm
*SKB Styroterm



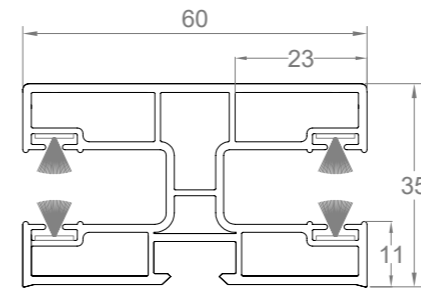
PPA 35/12

*SKT Opoterm
*SKB Styroterm



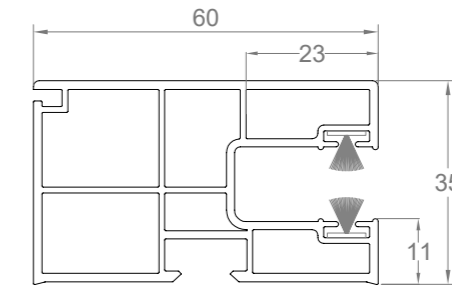
PPDA-P 60/12

*SKT Opoterm
*SKB Styroterm



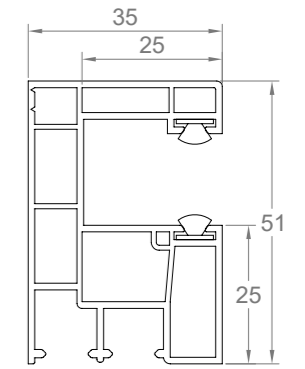
BC PG02

*Cleverbox
*Cleverbox Soft



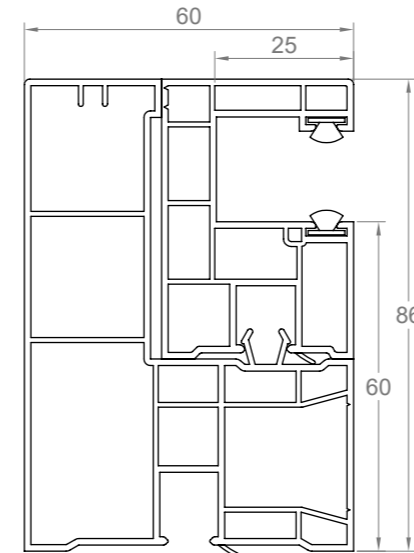
BC PG08

*Cleverbox
*Cleverbox Soft



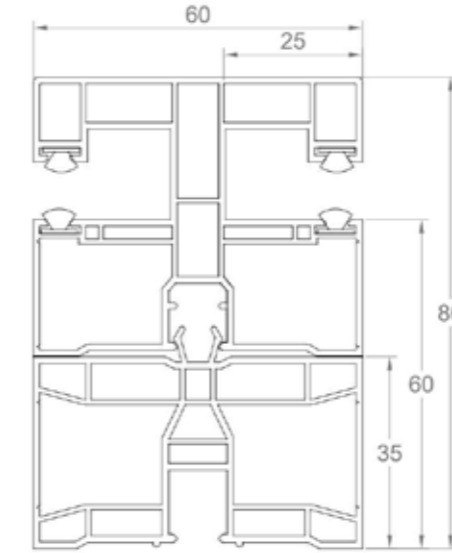
EX 5085

*Expert XT
*Elite XT



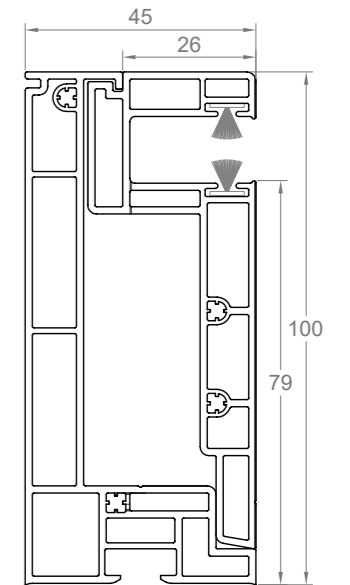
EX 5086

*Elite XT :
with external revision



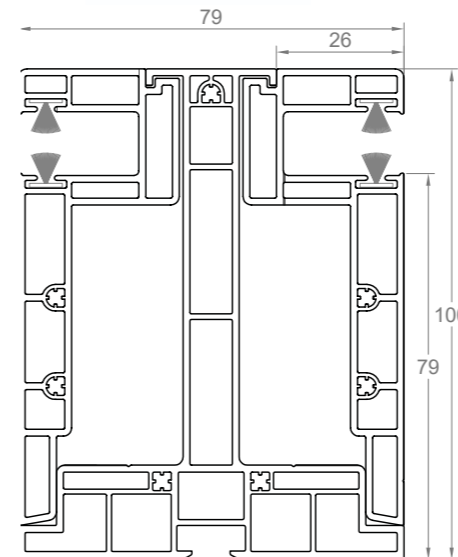
EX 5095 + odsadzenie EX 5082

*Elite XT
with external revision



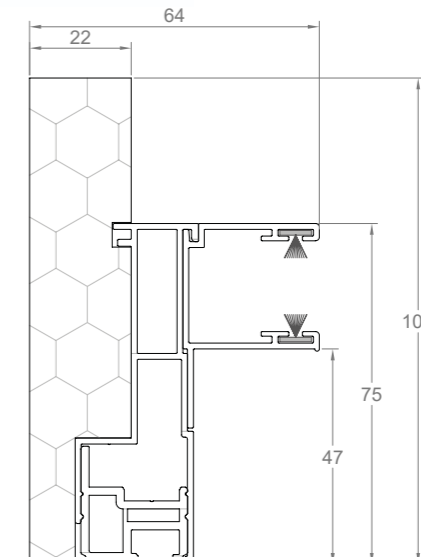
PPRA/12

*SKB Styroterm
with external revision




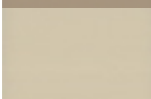

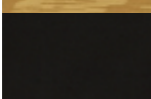


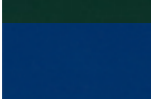
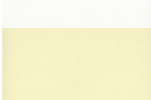
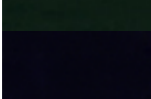
PPDR 79



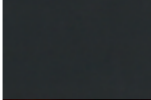


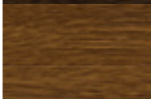
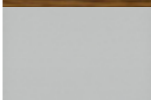
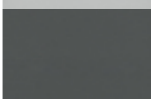
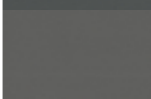
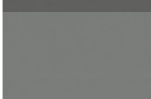

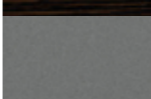
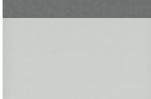
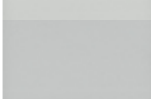



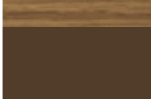
*SKB Styroterm
with external revision




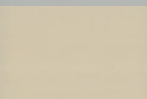
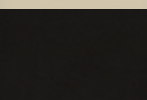
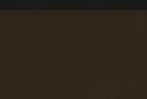
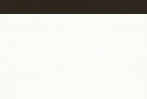

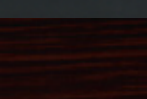

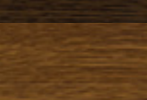

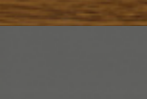





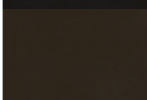
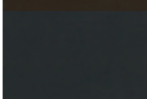

RGTG 75 ALU

*Roka Top 2 RG

Colour	Code	Colour name	PA 39	PA 43	PA 52	PA 55	PA 77
	01	silver	✓	✓	✓	✓	✓
	02	white	✓	✓	✓	✓	✓
	03	grey	✓	✓	✓	✓	✓
	04	dark beige	✓	✓			
	05	beige	✓	✓	✓	✓	✓
	06	dark wood	✓	✓	✓	✓	✓
	07	light wood	✓			✓	
	08	dark brown	✓	✓	✓	✓	✓
	09	brown	✓	✓	✓	✓	✓
	11	yellow	★				
	12	red	★				★
	13	green	★		★		★
	14	blue					★
	15	cream white	✓	✓	✓	✓	★
	16	ivory	✓	✓		★	
	17	iodine green	★			★	★
	18	steel blue	★			★	
	19	claret	★				

Colour	Code	Colour name	PA 39	PA 43	PA 52	PA 55	PA 77
	20	black	★	✓			★
	22	ultra white	✓	✓	✓	✓	✓
	23	grey anthracite	✓	✓	✓	✓	✓
	26	mahogany	✓	✓			
	28	walnut	✓	✓	✓		✓
	30	golden oak	✓	✓	✓	✓	✓
	31	light grey	✓	✓	✓		
	33	basalt grey	★	✓			
	34	quartz grey	★	✓	★	★	★
	35	concrete grey	★	✓			
	36	wenge	✓	✓	✓		
	37	grey aluminium	✓	✓	✓		
	38	frosty grey	✓		✓		
	39	satin grey	✓		✓		
	40	white, pearl mat	★		★		
	43	grey anthracite	★		★		
	52	winchester	✓	✓	✓		
	VSR780	metallic bronze		✓			

Colour	Code	Colour name	SK45				SKO-P				SKP				SK90				SP-E			
			137	165	180	205	137	165	180	205	137	165	180	205	137	165	180	205	137	165	180	205
	01	silver	✓	✓	✓	✓	✓	✓	✓	✓	✓	✓	✓	✓	✓	✓	✓	✓	✓	✓	✓	✓
	02	white	✓	✓	✓	✓	✓	✓	✓	✓	✓	✓	✓	✓	✓	✓	✓	✓	✓	✓	✓	✓
	03	grey	✓	✓	✓	✓	✓	✓	✓	✓	✓	✓	✓	✓	✓	✓	✓	✓	✓	✓	✓	✓
	05	beige	✓	✓	✓	✓	✓	✓	✓	✓												
	08	dark brown	✓	✓	✓	✓	✓	✓	✓	✓	✓	✓	✓	✓	✓	✓	✓	✓	✓	✓	✓	✓
	09	brown	✓	✓	✓	✓	✓	✓	✓	✓	✓	✓	✓	✓	✓	✓	✓	✓	✓	✓	✓	✓
	15	cream white	✓	✓	✓	✓	✓	✓	✓													
	22	ultra white	✓	✓	✓	✓	✓	✓	✓										✓	✓	✓	✓
	23	grey anthracite	✓	✓	✓	✓	✓	✓	✓	✓	✓	✓	✓	✓	✓	✓	✓	✓	✓	✓	✓	✓
	26	mahogany	✓	✓	✓																	
	28	walnut	✓	✓	✓	✓																
	30	golden oak	✓	✓	✓	✓																
	30R	golden oak veneered	✓	✓	✓	✓													✓	✓	✓	✓
	34	quartz grey	✓	✓	✓	✓	✓	✓	✓	✓												
	52	winchester	✓	✓	✓	✓													✓	✓	✓	✓
	53R	dark oak	✓	✓	✓	✓													✓	✓	✓	✓

Colour	Code	Colour name	ROLLER GARAGE DOOR		
			250	300	350
	01	silver	✓	✓	✓
	02	white	✓	✓	✓
	03	grey	✓	✓	✓
	08	dark brown	✓	✓	✓
	09	brown	✓	✓	✓
	23	grey anthracite	✓	✓	✓
	28	walnut		✓	
	30	golden oak	✓	✓	



PVC top-mounted roller shutter boxes are available in all window colors from our offer. Aluminum boxes are varnished according to the RAL palette.



SOMFY ILMO 2 motor

Automatic setting of end positions, obstacle detection, overload lock. Requires hangers with a lock. Gentle raising of the armoured shutter.



SOMFY OXIMO RTS motor

Operated by remote control or a transmitter. Has overload protection, obstacle and icing detection. Requires hangers with a lock. Gentle raising of the armoured shutter.



Set: Oximo 40 Wirefree RTS II motor + battery (installed inside the roller shutter box) + solar

The motor is operated by remote control or a SOMFY RTS series wall-mounted transmitter, with overload, obstacle and icing detection. Requires the use of hangers with a lock. It only fits 40 mm diameter winding tubes.



SOMFY LT 50 NHK motor

Operated by a switch or winder in the event of a power failure. The motor has overload and obstacle detection. Requires the use of hangers with a lock.



SOMFY ILMO AUTO S WT / rts motor - short (motor length is 375 mm)

Used in narrow boxes (min. 450 mm wide – with the use of an external holder, diameter 60). The motor has overload protection, obstacle and icing detection.



RS100 iO

Operated by remote control. Two speeds can be set - normal and discrete. At discrete speed, the motor runs noiselessly. Gentle raising of the armoured shutter.



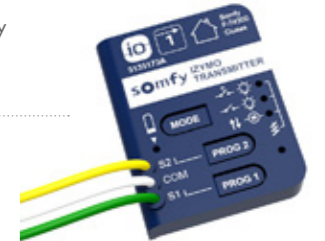
SOMFY LT 50 JET NHK RTS motor

Operated by remote control or a SOMFY RTS series wall-mounted transmitter, or by winder in the event of a power failure. The motor has overload and obstacle detection. Requires the use of hangers with a lock.



SOMFY RTS receiver

Allows you to convert a directly controlled motor and a remotely operated motor.



SOMFY OXIMO iO motor

Operated by remote control or an iO series transmitter with overload protection, obstacle and icing detection. Requires hangers with a lock. Feedback motor, integrating with the SOMFY TaHoma system.



SOMFY OXIMO AUTO S iO motor – short (motor length is 375 mm)

The motor gives the current work status, integrates with the SOMFY TaHoma system. Used in narrow boxes (min. 450 mm wide – with the use of an external holder diameter 60). The motor has overload protection, obstacle and icing detection, and wireless control.



SOMFY TELIS 16 RTS remote control

Sixteen-channel remote control with the possibility of assigning each channel. Supports up to 16 roller shutters independently.



SITUO I RTS remote control

It is available as a single-channel version (controlling one roller shutter or one group of roller shutters at the same time) and in a five-channel versions.





SOMFY NINA iO remote control

New to the range. The remote control allows you to program many roller shutters and operate them independently. It has a function for creating groups of roller shutters and allows you to easily create operating scenarios. Works with devices from the iO series.



SITUO 5 RTS remote control

Designed to control iO series SOMFY drives, available in one or five-channel versions. Available colours: Pure (white) and Titane (graphite).



TITANE
PURE



SOMFY wall-mounted transmitter CHRONIS SMART RTS single-channel with timer

Allows you to control one roller shutter or a group of roller shutters at the same time. You can use the timer to set the times for the automatic raising and lowering of the roller shutters. Battery powered.



Timer CHRONIS IO

A wireless time-programmable wall-mounted controller that allows simultaneous manual or automatic control of one or more iohmecontrol @* devices, such as blinds, roller shutters, lighting, roof windows, etc.



SOMFY Smoove Origin iO Shine wall-mounted transmitter

Single-channel transmitter for controlling SOMFY iO series motors, battery powered, available in black, white and silver.



BLACK
PURE
SILVER

SOMFY KEYGO 4 remote control

Allows four Somfy drives using iO or RTS technology to be operated independently, such as entry or garage gates, or roller shutters.



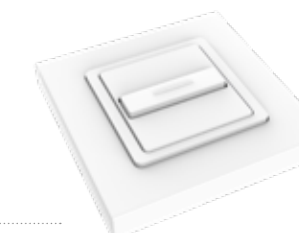
SMOOVE DUO switch with a SUPPORT FUNCTION

Convenient, wired switch to control two independent roller shutters. The advantage of this switch is undoubtedly that it is not necessary to hold the switch while raising or lowering the armoured roller shutter.



SOMFY SMOOVE UNO flush-mounted switch with support function

To operate one roller shutter. Thanks to the voltage support function, the user does not have to hold the button while raising or lowering the armoured roller shutter.



Somfy CONNEXOON

Allows you to control the SOMFY iO drives remotely via your smartphone.



TaHoma Premium

Allows connection of iO and RTS series motors (limited functionality), light, wind, smoke sensors. Allows you to control roller shutters from your smartphone or other mobile device using a dedicated application.



45S motor

Switch control, with manual adjustment of the motor limit settings. The motor is intended for use with a 50 or 60 mm diameter winding tubes.



35S motor

Switch control, with manual adjustment of the motor limit settings. The motor is intended for use with a winding tube of 40 or 50 mm diameter.



**45S motor
(short – 345 mm long)**

Switch control, with manual adjustment of the motor limit settings. Used for winding tubes with a diameter of 50 or 60 mm. Ideal for mounting in narrow roller shutter boxes (min. box width is 460 mm).



35R motor

Operated by remote control or a wireless wall-mounted transmitter, with manual adjustment of the motor limit settings. The motor is intended for use with a 40 or 50 mm diameter winding tube.



45 BD motor

Operated by a switch, with automatic speed control and obstacle detection. Used for winding tubes with a diameter of 50 or 60 mm. Requires the use of hangers with a lock.



45 EYV motor

Operated by remote control or wireless wall-mounted transmitter, with automatic speed control and obstacle detection. Used for winding tubes with a diameter of 50 or 60 mm. Requires the use of hangers with a lock.



- code keyboard
- key switch

45R motor

Operated by remote control or a wireless wall-mounted transmitter, with manual adjustment of the motor limit settings. The motor is intended for use with a 50 or 60 mm diameter winding tubes.



FLUSH-MOUNTED switch

Flush-mounted button switch to operate only one roller shutter.



SURFACE-MOUNTED switch

Surface-mounted button switch to operate one roller shutter.



MELODY remote control

Available in one, five, nine, and fifteen-channel versions. Available in white and black.



MELODY remote control with timer

Allows you to program the hours of automatic opening and closing of the roller shutters. Available in one and fifteen-channel versions, available in white and black.



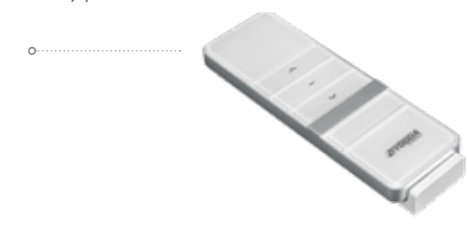
Remote control with a timer

Available in one or five-channel version. Battery powered. Allows you to program the hours of automatic opening and closing of the roller shutters.



DELUXE remote control

Available in one or five-channel versions. Battery powered.



**MAGNETIC DELUXE
remote control
fifteen-channel**

Available in white and black.
Allows you to control fifteen
roller shutters independently.



**AURA wireless wall-mounted
transmitter with timer**

Allows you to program the hours
of automatic opening and closing
of the roller shutters. Available in one
and fifteen-channel versions,
powered by a battery.



**AURA wireless
wall-mounted transmitter**

Available in one or two-channel versions.
Battery powered.



ELIS / ELIM
wire and tubular drive



The ELIS motor uses intelligent solutions: for unique ease of program self-learning and the manual limit switches, an obstacle detection function with reverse. The motor also reacts when the armoured shutter is frozen, for which a lock sensor with reversion is responsible.

ELFIS / ELFIM
radio drive



Radio-controlled drive with obstacle detection, two-way communication and an intuitive limit position setting system.

WSTR-5
five-channel wall-mounted radio transmitter with time control



It allows you to control 5 roller shutters independently. Additionally it has a time automatic function.

WSR-2
two-channel wall-mounted radio transmitter



Allows you to control two roller shutters or roller shutters groups independently.

HSR-5 five-channel hand-held radio transmitter



It allows you to control 5 roller shutters independently.

HSR-1 one-channel hand-held radio transmitter



To control one roller shutter or a group of roller shutters.

HSTR-15 fifteen-channel hand-held radio transmitter with time control



Allows you to control fifteen roller shutters or groups of roller shutters independently. An additional function of the remote control is to automate the operation of the roller shutters by setting the times for automatic opening and closing of the covers.

HSTR-5 five-channel hand-held radio transmitter with time control



Allows you to control five roller shutters or roller shutters groups independently. The automatic time settings makes the roller shutter operation even more convenient.

SELVE i-SWITCH
surface-mounted switch



It allows you to operate only one roller shutter.

COMMEO SEND 1



A two-way single-channel portable remote control with wall holder. Commeo Send 1 can be programmed for several receivers, so that a group of receivers can be controlled by one transmitter. Easy deactivation of the automatic central commands via the slide switch.

COMMEO WALL SEND



Commeo Wall Send combines many functions in a new shape. The two-way one-channel wall-mounted transmitter is designed for mounting on a wall and to look impressive with its flat design. The internal design is intended to mount all commonly used switch types.

SELVE i-SWITCH
flush-mounted switch



It allows you to operate only one roller shutter.



Commeo Multi Send

Functionality combined with design. The remote control has a large, backlit display, is very convenient to use and offers a multitude of functions. Equipped with 20 channels and 10 groups, it is a true home control unit.

COMMEO SEND 10

The two-way ten-channel portable remote control with wall holder. The Commeo Send 10 can control up to 10 groups individually or all 10 groups together. Easy deactivation of automatic central commands via the slide switch.



Surface-mounted winder with a 14 mm tape

Available in white or brown, in 5 m or 7 m versions for roller shutters over 2 m high. Adaptive roller shutters are supplied with self-assembly winders (connection of the tape with a spring in the winder), the tape is wound in a box.



Flush-mounted winder with a 14 mm tape

For manual control of top-mounted (version with a wound up tape) and adaptation roller shutters (version without a tape in the winder), max load capacity is 11 kg. Can be mounted in the wall as well as in the window frame.



Selve SEE-NHK

SEE-NHK roller shutter drive combines the simplest in limit point setting and maximum operating safety. Manual operation in emergency situations with a winder is possible - such as in the event of a power failure. After manually raising the SEE-NHK drive with the winder, it remembers the limit points automatically.



SELVE SP RESCUE ENGINE

Enables the roller shutter to be opened quickly, even without a power supply. The perfect solution for roller shutters used at emergency exits



Surface-mounted winder with a 4.5 mm cord line

Cord manual control is used in adaptive roller shutters. A simple and reliable way to control small roller shutters (max. armour area is 4.25 m²). Available in white or brown.



Surface-mounted winder with mignon crank

Available in a version for a 14 mm tape or a 4.5 mm cord line, recommended for larger roller shutters with a manual drive, the maximum load capacity of the winder spring is 22 kg, the winder and the tape/cord are available in white or brown



Selve SEE Plug&Play

Plug&Play motor with cable control and obstacle and overload detection. It is simple to install and adjust the limit position, no manual adjustment is required.



SEE-RC ENGINE with two-way communication

Plug&Play motor with radio control and obstacle and overload detection. An additional advantage is the feedback sent to the user about the drive operating status.





Eko-Okna S.A is an international manufacturer of window and door joinery. We also specialise in the manufacture of roller shutters, mosquito nets as well as roller shutters and garage doors.

The roller shutters from Eko-Okna are recognized throughout Europe. We offer an extensive range of top-mounted, flush-mounted and adaptive systems. For customers looking for energy-saving solutions we offer roller shutters that meet the highest requirements of the European Union in terms of thermal and acoustic insulation. We also have a whole range of additional solutions, such as motors, an espagnolette lock for armoured solutions and roller shutters supplemented with an integrated mosquito net or air vent. As a window manufacturer, we are able to offer our customers what other roller shutters manufacturers cannot provide – installation of the roller shutter on window frames, renovation frames and monoblock frames during the production stage. We also offer unusual colours.

We have a reliable and effective customer service team to ensure that orders are delivered on time, while maintaining the high quality of our products. We guarantee the safety and durability of our products. We operate in compliance with ISO 9001 quality management systems. We have CE certification.



**ЕКО
ОКНА**

The publication does not constitute a commercial offer. It is not a basis for submitting complaints.
Presented photographs are illustrative pictures, not actual product photos.

1/2021



Eko-Okna S.A.

ul. Spacerowa 4

47-480 Kornice